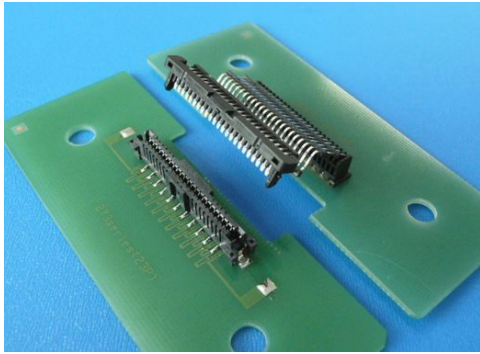


506Series

Board-to-Board | Horizontal (Bridge) Connector | 1.25mm-Pitch Connector



Product Feature

1. 1.25mm-pitch horizontal (bridge type) board to board connector:

It is indispensable to FPD or digital equipment for effectively connecting between horizontal substrates.

2. Abundant variations and ways of usage are possible:

The products are compliant to 1A, and can be used for signal lines as well as power supply.

3. Improved work efficiency:

This series has been made available as a new version designed to improve the work efficiency of insertion/extraction for the 273 series.

The SMT socket establishes the adsorption side, and covering it is adsorption-free.

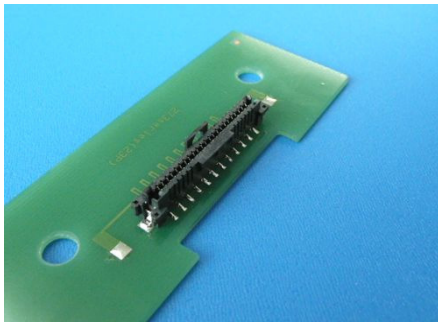
4. High contact reliability:

The socket terminals' shape is made up of fork terminals made available based on the unique technology, and ensures High contact reliability.

Specifications

Voltage/Current rating	125V,1A(AC·DC)	
Insulation resistance	1,000MΩ MIN	
Contact resistance	30mΩ MAX	
Withstanding voltage	AC500V (for one minute)	
Temperature range	-20°C~+85°C	
Insertion force	34.3N MAX. (15Pin)	
Withdrawal force	9.8N MIN. (15Pin)	
Materials Socket (dip type)	Housing: PBT、GF、UL94V-0	Terminal: Phosphor bronze、Sn-Cu plated
Materials Socket (SMT type)	Housing: LCP、GF、UL94V-0	Terminal: Phosphor bronze、Sn-Cu plated
Materials Plug	Separator: PBT、GF、UL94V-0	Terminal: Phosphor bronze、Sn plated

Socket



Socket (DIP type)

Unit:mm

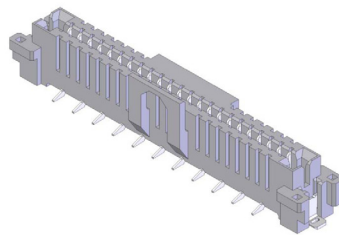
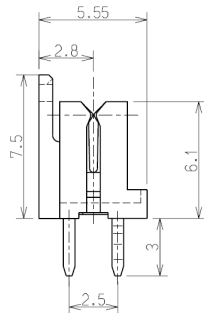
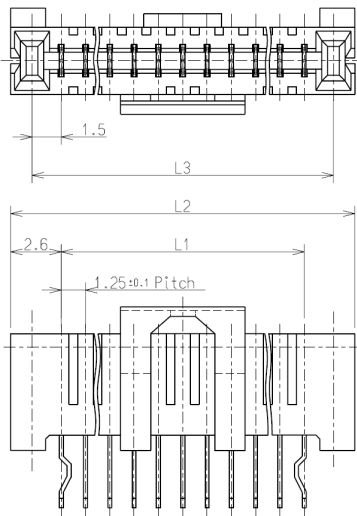
Poles	Product name	L1	L2	L3
11	150604111K2	12.5	17.7	15.5

Socket (SMT type)

Poles	Product name	Lp	L1	L2	L3
9	150601109K3	10.0	15.2	19.1	13.0
15	150601115K3	17.5	22.7	26.6	20.5
23	150601123K3	27.5	32.7	36.6	30.5

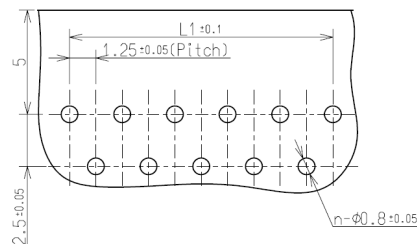
* Please inquire other numbers of poles.

Socket dip type



P.W.B layout (Socket dip type)

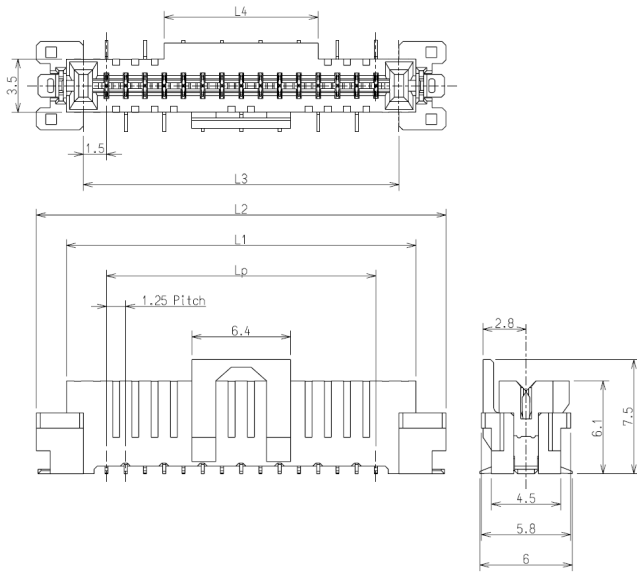
* port surface side



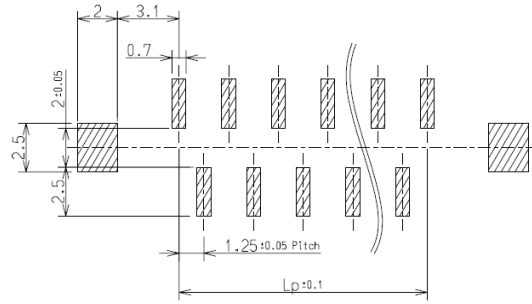
506Series

Board-to-Board | Horizontal (Bridge) Connector | 1.25mm-Pitch Connector

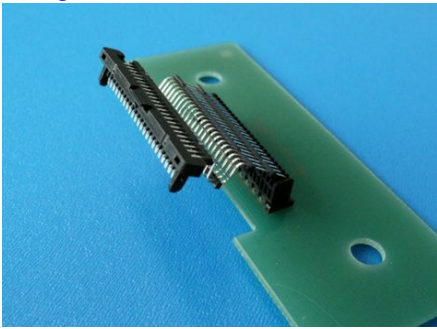
Socket SMT Type



P.W.B layout (Socket SMT type) *port surface side



Plug

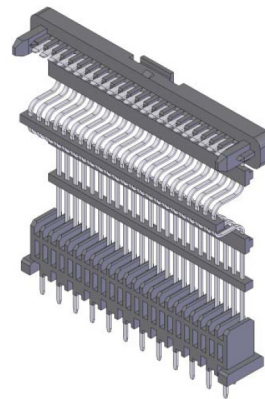
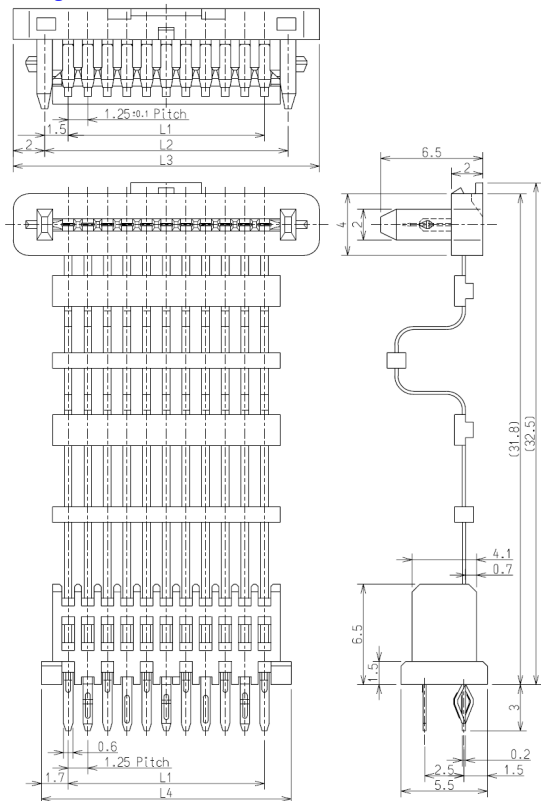


Plug

Poles	Product name	L1	L2	L3	L4
9	250601109K4	10.0	13.0	17.0	13.4
15	250601115K4	17.5	20.5	24.5	20.9
23	250601123K4	27.5	30.5	34.5	30.9

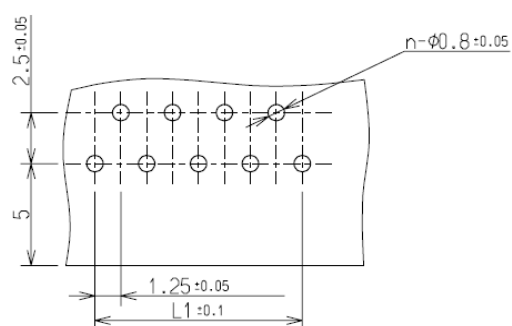
Unit:mm

Plug



P.W.B layout

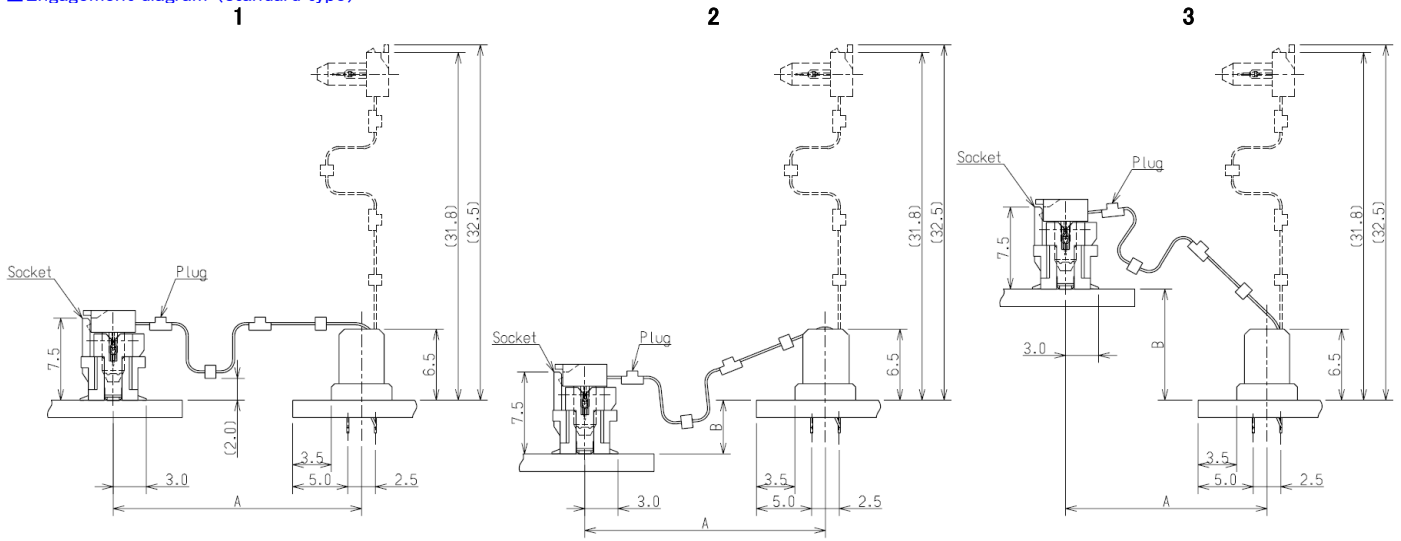
* port surface side



506Series

Board-to-Board | Horizontal (Bridge) Connector | 1.25mm-Pitch Connector

Engagement diagram (standard type)



Unit:mm

Table 1		Table 2			Table 3		
A dimension		A dimension		B	A dimension		B
MAX	MIN	MAX	MIN		MAX	MIN	
22.5	16.0	22.5	16.0	1.0	22.5	16.0	1.0
		22.0	16.0	2.0	22.0	16.0	2.0
		22.0	16.5	3.0	22.0	16.5	3.0
		21.5	16.5	4.0	21.5	16.5	4.0
		21.5	16.5	5.0	21.5	16.5	5.0
					21.0	17.0	6.0
					20.5	17.0	7.0
					20.0	17.0	8.0
					19.5	17.5	9.0
					18.5	17.5	10.0

* All the figures relative to the product information indicated herein on our website are to represent respective model ranges(or series), and may as well be treated as reference figures only. We take the liberty to call your kind attention to the fact that our products and/or specifications may change without previous notice due to unavoidable circumstances. If you determine to use or adopt a product thereof, we would appreciate you contacting our Sales & Marketing Division for confirmation of the up-to-date specifications for delivery.