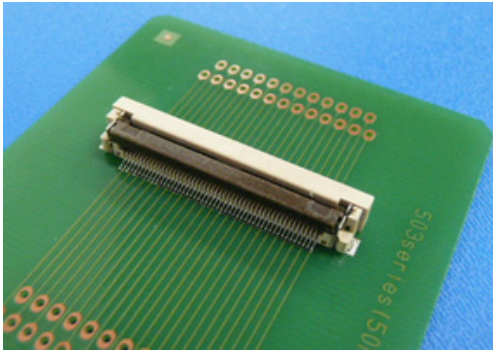


503 Series

FFC・FPC | ZIF | 0.5mm Pitch Connector



Product Feature

1. 0.5mm pitch, and reverse contact-points, type:

It is to be used for FFC and FPC.

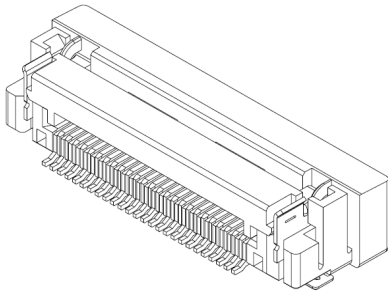
2. Rotating and ZIF structure:

The above structure makes possible better work efficiency and excellent click feeling, and is made up of locking characteristics, which would not allow a card to come off easily.

Specifications

Voltage/Current rating	80V,0.5A(AC・DC)
Insulation resistance	500MΩ MIN.
Contact resistance	60mΩ /P MAX.
Withstanding voltage	AC250V(for one minute)
Temperature range	-30°C~+85°C
Applicable wire thickness	0.3mm±0.05mm(FFC)
Lock insertion force	19.6 N MAX. (40pin)
Lock withdrawal force	3.7 N MIN. (40pin)
FFC retention force	10.0 N MIN. (40pin)
Materials	Housing:LCP,GF Slider:PPS,GF Terminal:Phosphor bronze,Sn plated

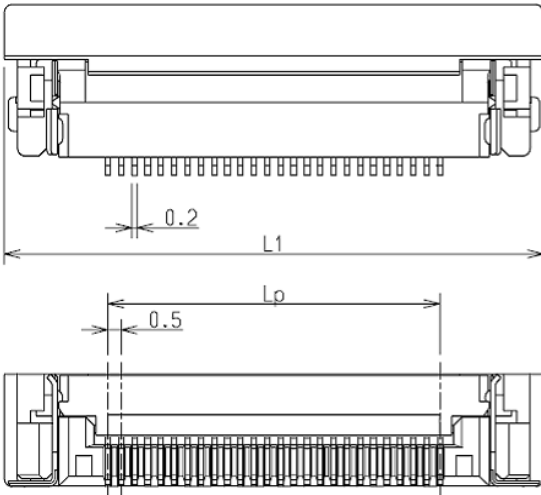
Socket



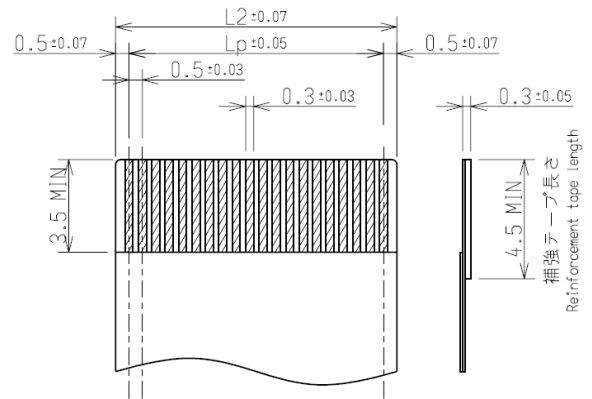
Unit:mm

Poles	Product name	LP	L1	L2
26	150301126W3	12.5	20.3	13.5
40	150301140W3	19.5	27.3	20.5
50	150301150W3	24.5	32.3	25.5

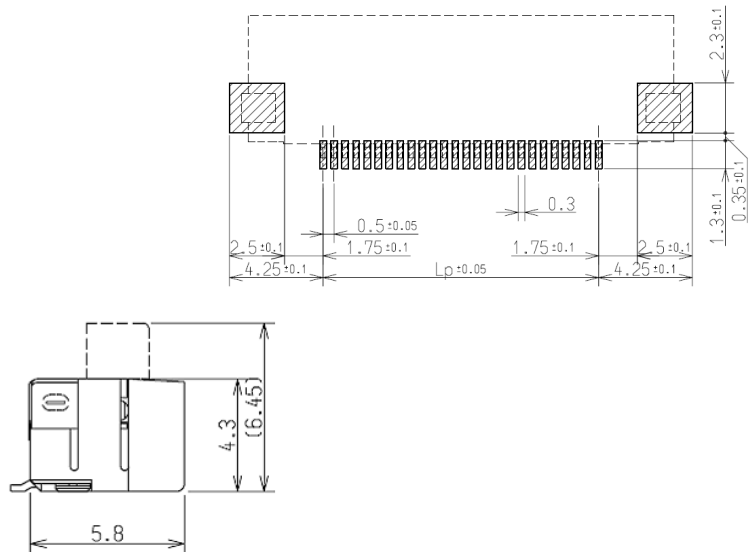
Socket



Applicable FFC specifications dimension



P.W.B layout



* All the figures relative to the product information indicated herein on our website are to represent respective model ranges(or series), and may as well be treated as reference figures only.
 We take the liberty to call your kind attention to the fact that our products and/or specifications may change without previous notice due to unavoidable circumstances.
 If you determine to use or adopt a product thereof, we would appreciate you contacting our Sales & Marketing Division for confirmation of the up-to-date specifications for delivery.