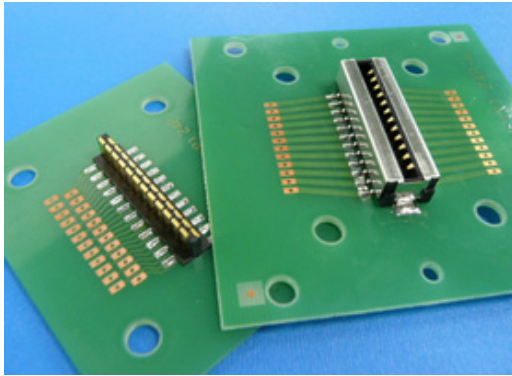


# 467 Series

For Special Application | Parallel Connector | 1.15mm Detachable Connector



## Product Feature

1. 1.15mm pitch, compact, easily-detachable, type:

2. It possesses shearing-absorbing function:

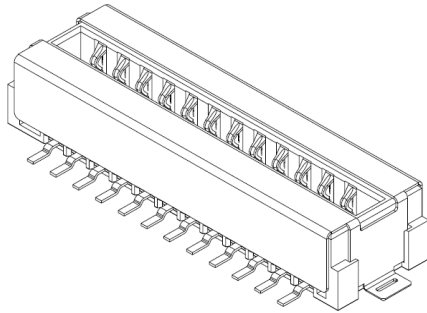
It is capable of absorbing shearing of  $\pm 0.7\text{mm}$  in the X-axis direction, or  $+1.7\text{mm}$  to  $-0\text{mm}$  in the insertion/extraction direction.

## Specifications

Voltage/Current rating	125V, 1.0A (AC·DC)
Insulation resistance	1,000M $\Omega$ MIN
Contact resistance	50m $\Omega$ MAX
Withstanding voltage	AC1,000V (for one minute)
Temperature range	-30°C~+85°C
Insertion force	18.6N MAX (24pin)
Withdrawal force	4.9N MAX (24pin)
Materials Socket	Housing: PA46, GF, UL94V-0 Terminal: Phosphor bronze, Au/Sn-Cu plated

\* The above is combination with 442 series.

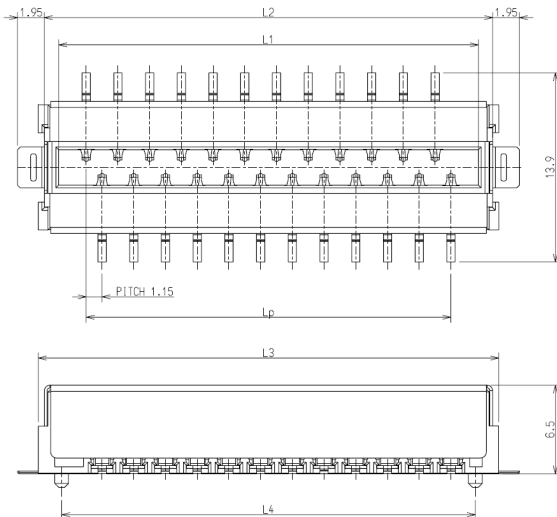
## Socket



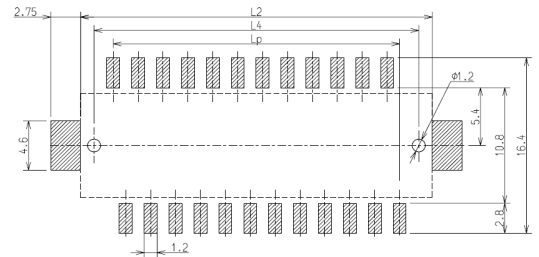
Poles	Product name	Lp	L1	L2	L3	L4
24	146701124K2	26.45	30.45	32.5	33.4	30.0

Unit:mm

## Socket



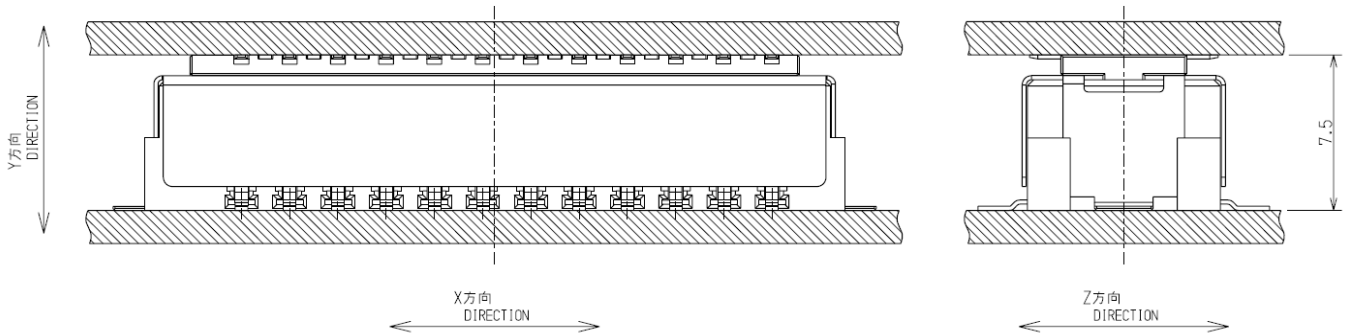
## P.W.B layout



# 467 Series

For Special Application | Parallel Connector | 1.15mm Detachable Connector

## Engagement diagram (combination with 442 series)



\* All the figures relative to the product information indicated herein on our website are to represent respective model ranges(or series), and may as well be treated as reference figures only. We take the liberty to call your kind attention to the fact that our products and/or specifications may change without previous notice due to unavoidable circumstances. If you determine to use or adopt a product thereof, we would appreciate you contacting our Sales & Marketing Division for confirmation of the up-to-date specifications for delivery.