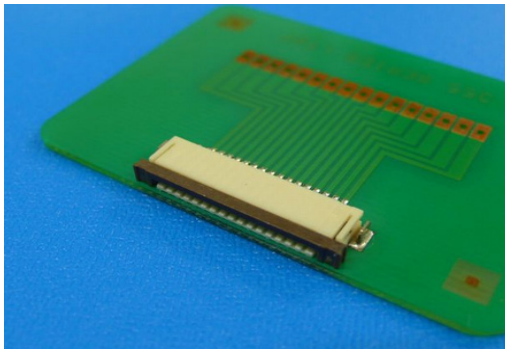


456 Series

FFC·FPC | ZIF | 1.0mm-Pitch Connector



Product Feature

1.Low-profile, sliding-, and ZIF-, type of connectors:

It is a 1.0mm-pitch, 2.5mm high, sliding-, and ZIF-, type of connector for FFC and FPC. contact direction becomes the lower.

2.High reliability:

It is a connector of the reliability preeminence that there are many results for connection with the in-vehicle machine deck.

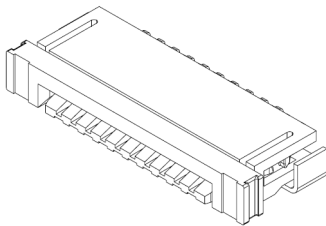
3.For RoHS:

The Sn plating can correspond by ending for RoHS.

Specifications

Voltage/Current rating	125V,1A(AC·DC)
Insulation resistance	1,000MΩ MIN.
Contact resistance	40mΩ /P MAX.
Withstanding voltage	AC500V (for one minute)
Temperature range	-20°C~+80°C
Applicable wire thickness	0.3mm±0.05mm (FFC)
Lock insertion force	40.2 N MAX (16pin initial)
Lock withdrawal force	3.4 N MIN (16pin initial)
FFC retention force	8.0 N MIN. (16pin initial)
Materials	Housing:PA9T、GF Slider:PPS、GF Terminal:Phosphor bronze、Sn plated

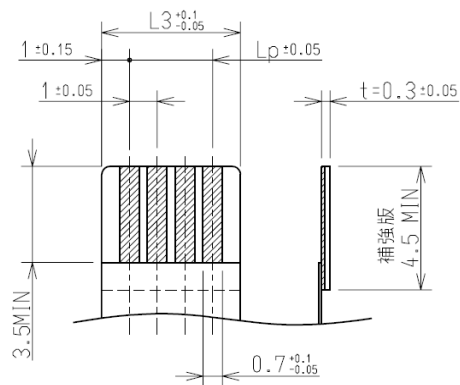
Socket



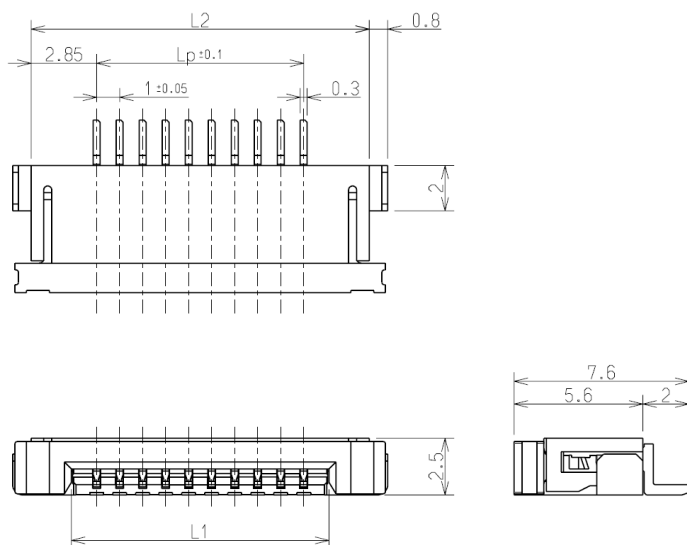
Poles	Product name	LP	L1	L2	L3
16	145601116W3	15.0	17.2	20.7	17.0

Unit:mm

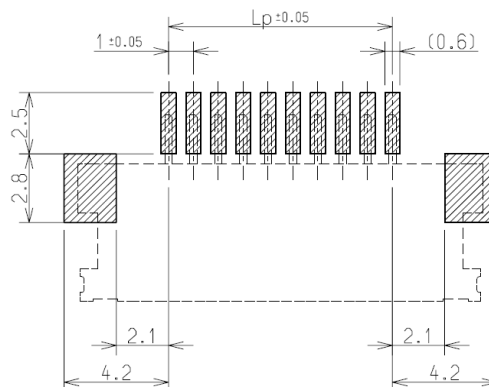
Applicable FFC specifications dimension



Socket



P.W.B layout



* All the figures relative to the product information indicated herein on our website are to represent respective model ranges(or series), and may as well be treated as reference figures only. We take the liberty to call your kind attention to the fact that our products and/or specifications may change without previous notice due to unavoidable circumstances. If you determine to use or adopt a product thereof, we would appreciate you contacting our Sales & Marketing Division for confirmation of the up-to-date specifications for delivery.