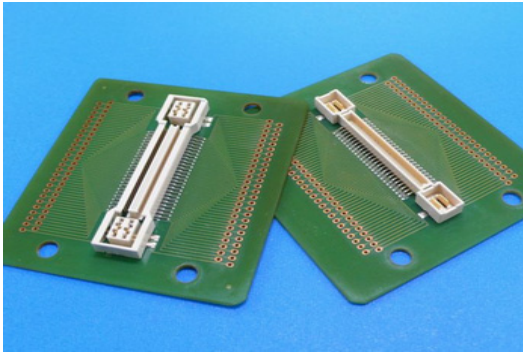


439Series

Board-to-Board | Parallel Connector | 0.625mm Movable Connector



Product Feature

1. Hybrid-, movable-, and parallel-, type connectors for board-to-board use:

The reason why it is referred to as "hybrid" is because it possesses both 4-ampere compliant, 4-pin power supply line and signal line.

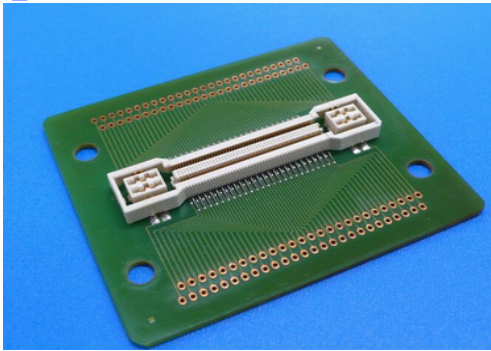
2. Signal line terminals zigzag-arranged:

Signal line terminals are arranged zigzag, and have the soldering intensity enhanced.

Specifications

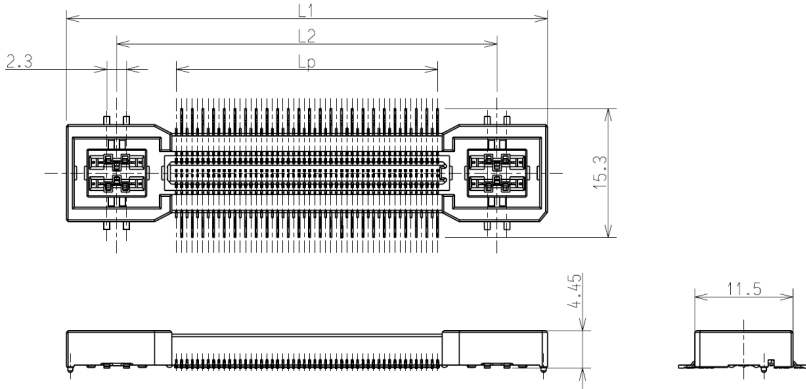
Voltage/Current rating	Signal line:50V,0.5A(AC+DC) Power supply line:250V,4A(AC+DC)
Insulation resistance	500MΩ MIN
Contact resistance	100mΩ MAX
Withstanding voltage	AC150V (for one minute)
Temperature range	-30°C~+85°C
Materials Socket	Housing:LCP,GF,UL94V-O Terminal:Phosphor bronze,Au plated
Materials Plug	Separator:LCP,GF,UL94V-O Terminal:Phosphor bronze,Au/Sn-Cu plated

Socket

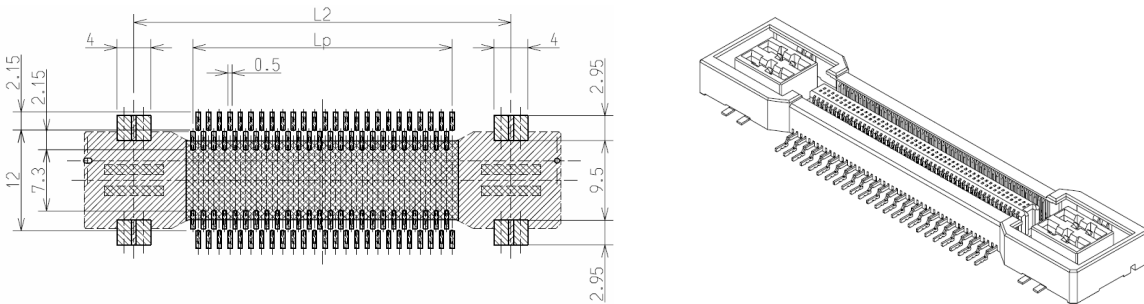


Poles	Product name	Lp	Unit:mm	
			L1	L2
104	1439021A4W3	30.625	56.375	44.575
104	1439031A4W3	30.625	56.375	44.575

Socket



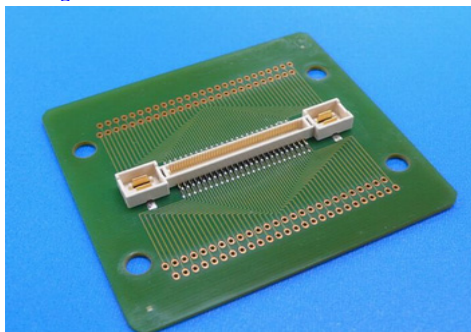
P.W.B layout



439Series

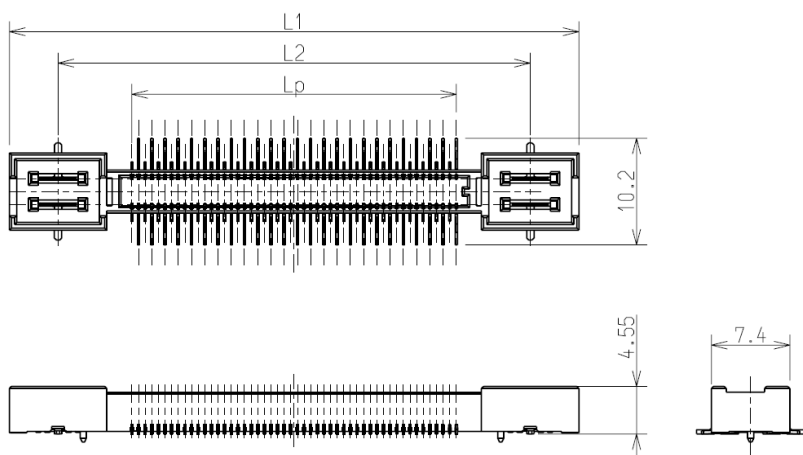
Board-to-Board | Parallel Connector | 0.625mm Movable Connector

■ Plug

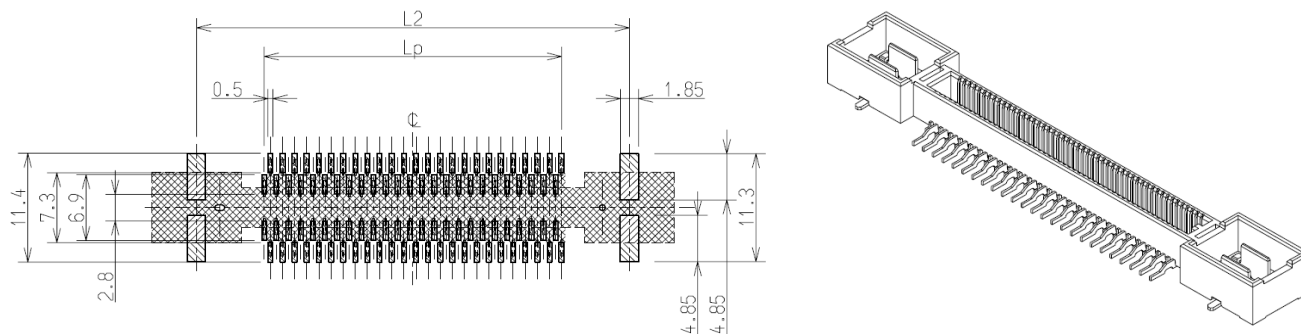


Poles	Product name	Lp	L1	Unit:mm	
				L1	L2
104	2439021A4W3	30.625	53.775	44.575	

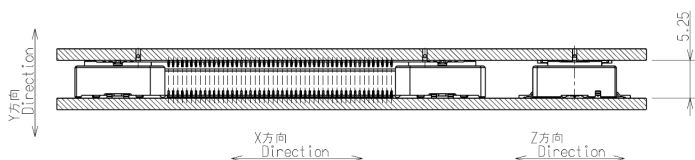
■ Plug



■ P.W.B layout



■ Engagement diagram



* All the figures relative to the product information indicated herein on our website are to represent respective model ranges(or series), and may as well be treated as reference figures only. We take the liberty to call your kind attention to the fact that our products and/or specifications may change without previous notice due to unavoidable circumstances. If you determine to use or adopt a product thereof, we would appreciate you contacting our Sales & Marketing Division for confirmation of the up-to-date specifications for delivery.