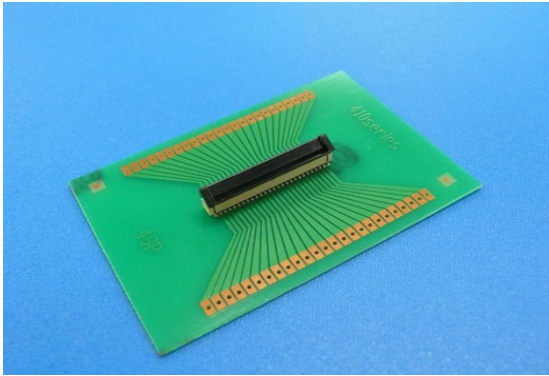


410 Series

FFC・FPC | ZIF | 0.5mm-Pitch Connector



Product Feature

1. Preeminent operation:

It is one-touch and possible from the insertion of FFC to the lock of the actuator.

2. Plenty variation available:

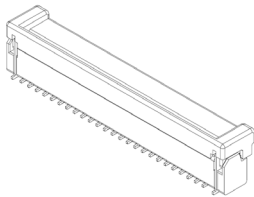
20 to 80 pins are easily available.

Specifications

Voltage/Current rating	80V,0.5A(AC・DC)
Insulation resistance	100 MΩ MIN
Contact resistance	60mΩ /P MAX.
Withstanding voltage	AC250V (for one minute)
Temperature range	-20°C~+85°C
Applicable wire thickness	0.3mm±0.05mm (FFC) *1 SUMI-CARD
Lock insertion force	38.0N MAX (40pin initial)
Lock withdrawal force	2.7N MIN (40pin initial)
FFC retention force	9.0 N MIN. (40pin initial)
Materials	Housing:LCP、GF Slider:PPS、GF Terminal:Phosphor bronze、Sn plated *2

- * 1 Please confirm to us that if use a equally FFC/FPC.
- * 2 Please inquire Au plte type.

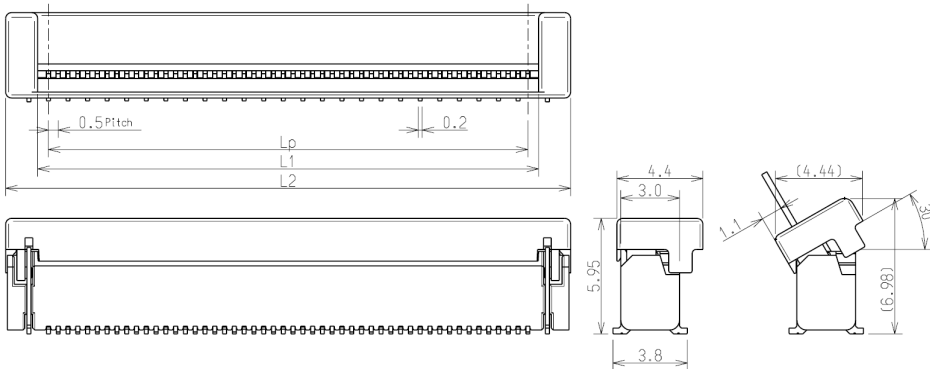
Socket



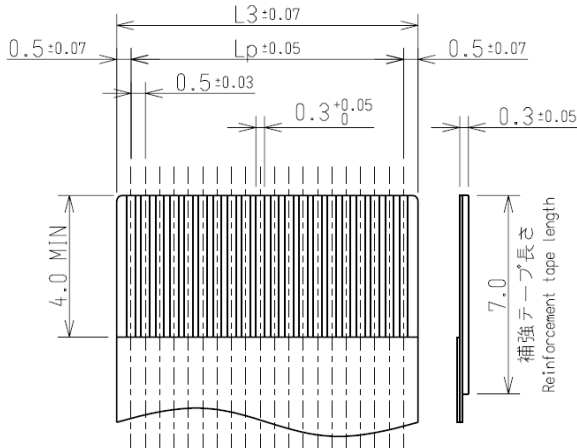
Poles	Product name	LP	L1	L2	L3
20	141001120W3	9.5	10.6	13.87	10.5
30	141001130W3	14.5	15.6	18.87	15.5
36	141001136W3	17.5	18.6	21.87	18.5
40	141001140W3	19.5	20.6	23.87	20.5
49	141001149W3	24.0	25.1	28.37	25.0
50	141001150W3	24.5	25.6	28.87	25.5
80	141001180W3	39.5	40.6	43.87	40.5

Unit:mm

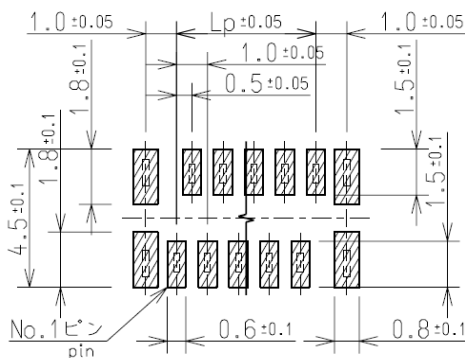
Socket



Applicable FFC specifications dimension



P.W.B layout



* All the figures relative to the product information indicated herein on our website are to represent respective model ranges(or series), and may as well be treated as reference figures only. We take the liberty to call your kind attention to the fact that our products and/or specifications may change without previous notice due to unavoidable circumstances. If you determine to use or adopt a product thereof, we would appreciate you contacting our Sales & Marketing Division for confirmation of the up-to-date specifications for delivery.