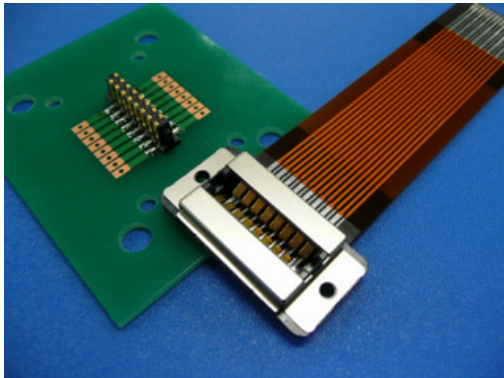


408 Series

For Special Application | Parallel Connector | 1.0mm Detachable Connector



Product Feature

1. 1mm pitch detachable connectors:

It is developed for easily detachable use on car stereo equipment, and is characteristic of high durability and reliability.

2. Direct connection with FPC possible:

It's of a type which enables the socket part to be directly connected with FPC, and is capable of responding to the movable face portion detaching.

3. Other feature:

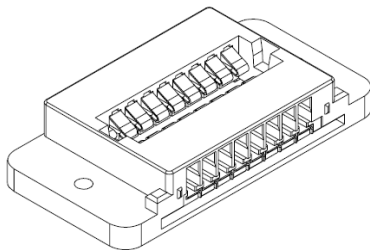
Durability of 15,000 times of insertion/extraction guaranteed. Electrostatic measures by metal cover provided.

Specifications

Voltage/Current rating	16V, 1.0A (AC·DC)	
Insulation resistance	1,000MΩ MIN	
Contact resistance	50mΩ MAX	
Withstanding voltage	AC1,000V (for one minute)	
Temperature range	-30°C~+85°C	
Insertion force	14.7N MAX (16pin)	
Materials Socket	Housing: LCP, GF, UL94V-0 Terminal: Phosphor bronze, Au/Sn-Cu plated	
Materials Plug	Separator: LCP, GF, UL94V-0 Terminal: Phosphor bronze, Au/Sn-Cu plated	

* The above-mentioned becomes a basic type.

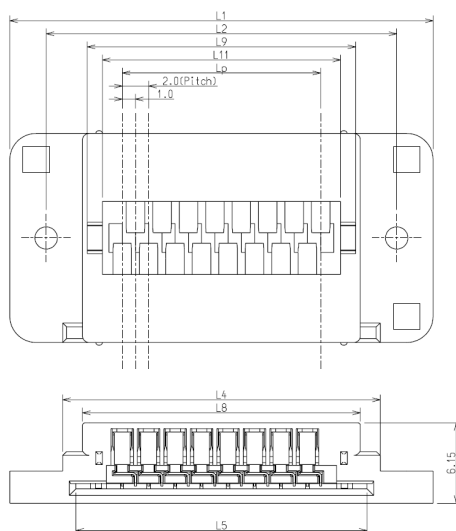
Socket



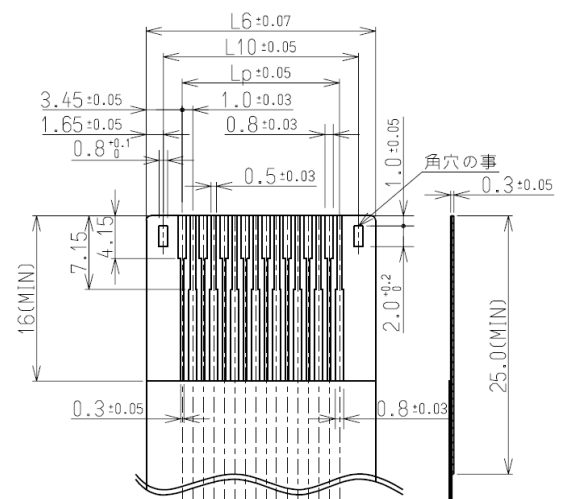
Unit:mm

Poles	Product name	Lp	L1	L2	L3	L4	L5	L6	L7	L8	L9	L10	L11
16	140801316K4	15.0	32.0	26.5	25.0	24.0	22.0	21.9	21.4	21.0	20.3	18.6	18.0
20	140801320K4	19.0	36.0	30.5	29.0	28.0	26.0	25.9	25.4	25.0	24.3	22.6	22.0

Socket



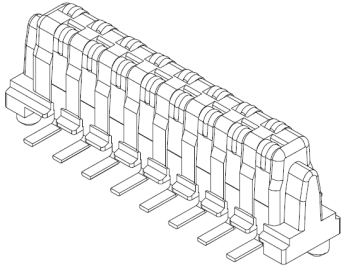
Applicable FPC specifications dimension



408 Series

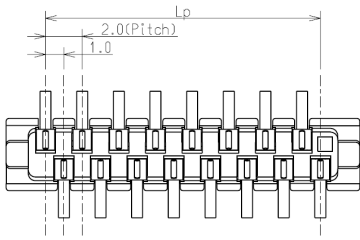
For Special Application | Parallel Connector | 1.0mm Detachable Connector

■ Plug

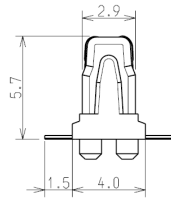
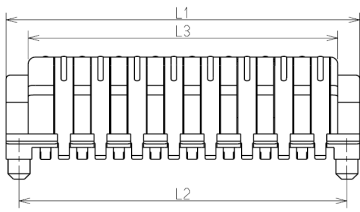
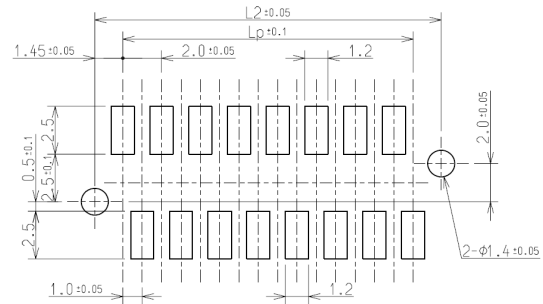


		Unit:mm			
Poles	Product name	Lp	L1	L2	L3
16	240803316K3	15.0	19.3	17.9	16.9
20	240803320K3	19.0	23.3	21.9	20.9

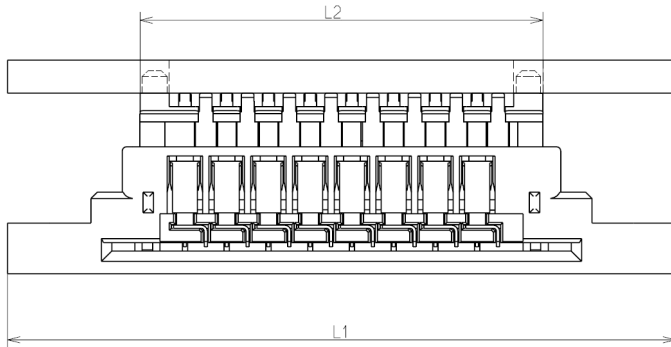
■ Plug



■ P.W.B layout



■ Engagement diagram



Unit:mm		
Poles	L1	L2
16	32.0	19.3
20	36.0	23.3

	Min engagement	center engagement	Max engagement
Movable range in direction of engagement	+0.5mm	0	-0.4mm
Movable range in direction of pitch	±0.5mm	±0.5mm	±0.5mm
Movable range in the vertical direction oganist the pitch	±0.5mm	±0.4mm	±0.3mm

* All the figures relative to the product information indicated herein on our website are to represent respective model ranges(or series), and may as well be treated as reference figures only. We take the liberty to call your kind attention to the fact that our products and/or specifications may change without previous notice due to unavoidable circumstances. If you determine to use or adopt a product thereof, we would appreciate you contacting our Sales & Marketing Division for confirmation of the up-to-date specifications for delivery.