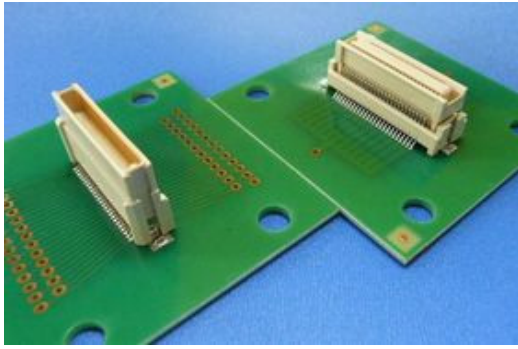


404/440 Series

Board-to-Board | Parallel Connector | 0.8mm Movable Connector



Product Feature

1. 0.8mm pitch movable connector:

It covers a movable range of $\pm 0.5\text{mm}$ in the X-, Y-, and/or Z-, axis directions.

2. Plenty of variations:

The distances between substrates optionally available are 15.0mm to 24.0mm, and numbers of pins, 50 to 100.

3. High speed transmission is readily available:

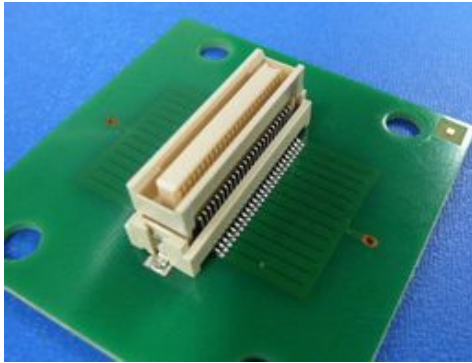
Please contact us for details.

Specifications

Voltage/Current rating	50V,0.5A(AC·DC)	
Insulation resistance	500M Ω MIN	
Contact resistance	80m Ω MAX	
Withstanding voltage	AC500V (for one minute)	
Temperature range	-30°C~+85°C	
Materials Socket	Housing: LCP,GF,UL94V-0	Terminal: Phosphor bronze,Au plated
Materials Plug	Separator: LCP,GF,UL94V-0	Terminal: Phosphor bronze,Au plated

* Plating specifications are different by a product.

Socket

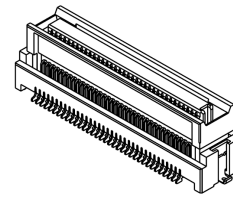
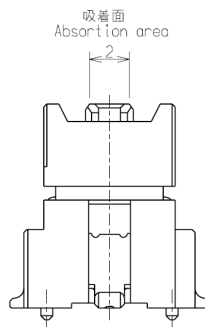
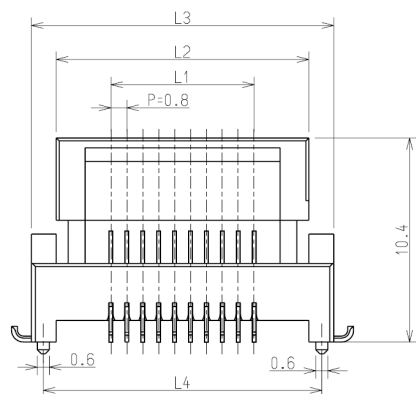
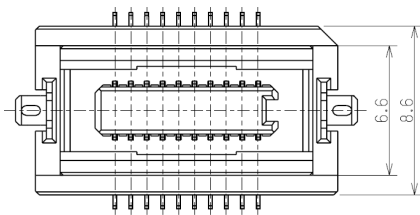


Unit:mm

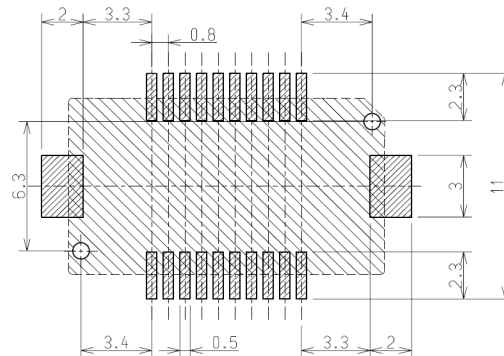
Poles	Product name	L1	L2	L3	L4	L5
50	140401350W3	19.2	24.7	27.2	26.0	10.4
60	144001360W3	23.2	28.7	31.2	30.0	10.4
70	140401370W3	27.2	32.7	35.2	34.0	10.4
80	140401380W3	31.2	36.7	39.2	38.0	10.4
100	1440011A0W3	39.2	44.7	46.2	46.0	10.4
120	1440013C0W3	47.2	52.7	54.2	54.0	10.4

* The above-mentioned becomes a basic type. Please inquire other variations.

Socket



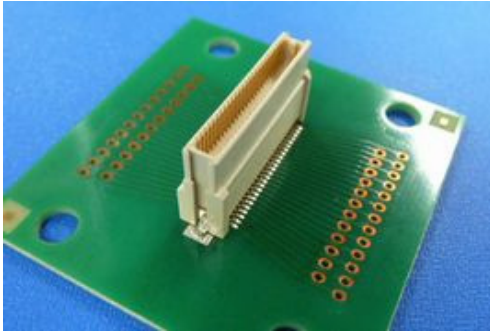
P.W.B layout



404/440 Series

Board-to-Board | Parallel Connector | 0.8mm Movable Connector

■ Plug



P.W.B distance 15.0mm

Unit:mm

Poles	Product name	L1	L2	L3	L4	H1
50	240405350W3	19.2	23.6	24.1	21.6	7.9
70	240405370W3	27.2	31.6	32.1	29.6	7.9

P.W.B distance 18.0mm

Poles	Product name	L1	L2	L3	L4	H1
50	240408350W4	19.2	23.6	24.1	21.6	10.9
100	2404082A0W3	39.2	43.6	44.1	41.6	10.9

P.W.B distance 21.0mm

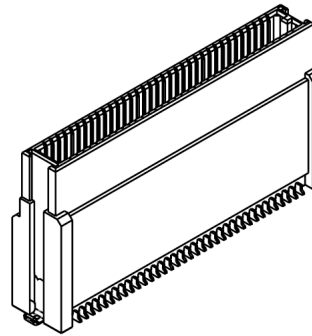
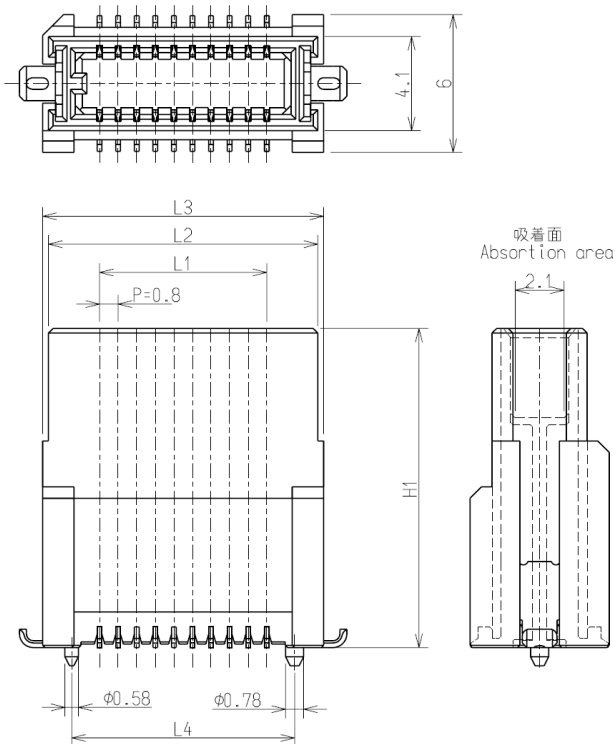
Poles	Product name	L1	L2	L3	L4	H1
50	240411250W4	19.2	23.6	24.1	21.6	13.9
70	240411270W4	27.2	31.6	32.1	29.6	13.9
100	2404113A0W3	39.2	43.6	44.1	41.6	13.9

P.W.B distance 24.0mm

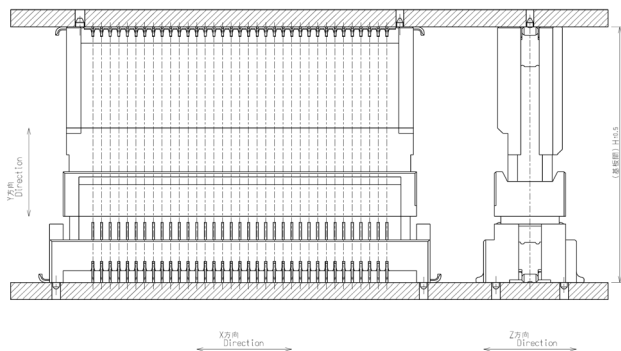
Poles	Product name	L1	L2	L3	L4	H1
30	240414330W3	11.2	15.6	16.1	13.6	16.9
60	240414360W3	23.2	27.6	28.1	25.6	16.9
70	240414270W4	27.2	31.6	32.1	29.6	16.9
80	240414380W3	31.2	35.6	36.1	33.6	16.9
120	2404143C0W3	47.2	51.6	52.1	49.6	16.9

* The above-mentioned becomes a basic type. Please inquire other variations.

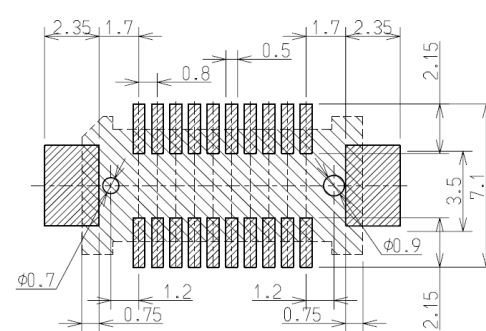
■ Plug



■ Engagement diagram



■ P.W.B layout



* All the figures relative to the product information indicated herein on our website are to represent respective model ranges(or series), and may as well be treated as reference figures only. We take the liberty to call your kind attention to the fact that our products and/or specifications may change without previous notice due to unavoidable circumstances. If you determine to use or adopt a product thereof, we would appreciate you contacting our Sales & Marketing Division for confirmation of the up-to-date specifications for delivery.