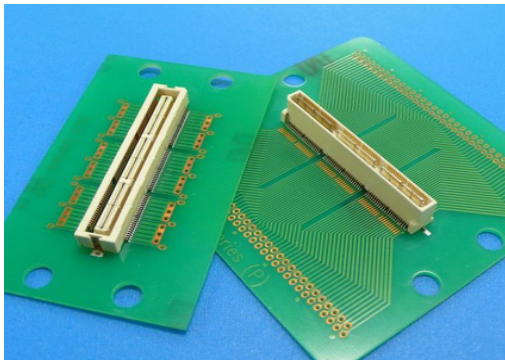


393 Series

Board-to-Board | Parallel Connector | 0.6mm Movable Connector



Product Feature

1. Outstanding high-frequency-wave feature:

A movable type of board-to-board connector with excellent high-frequency-wave characteristics.

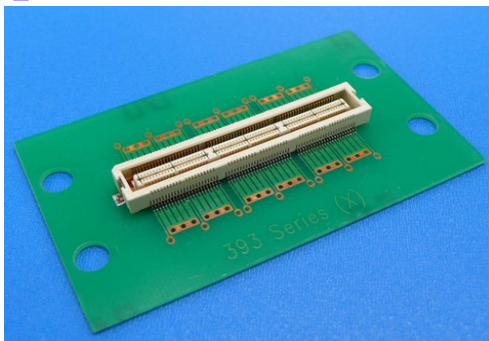
2. Ground plate acting as a countermeasure for high frequency wave:

A ground plate is located in the center of the connector. It has superb impedance consistency, and makes it easier to design countermeasures for electromagnetic interface in electronic circuit.

Specifications

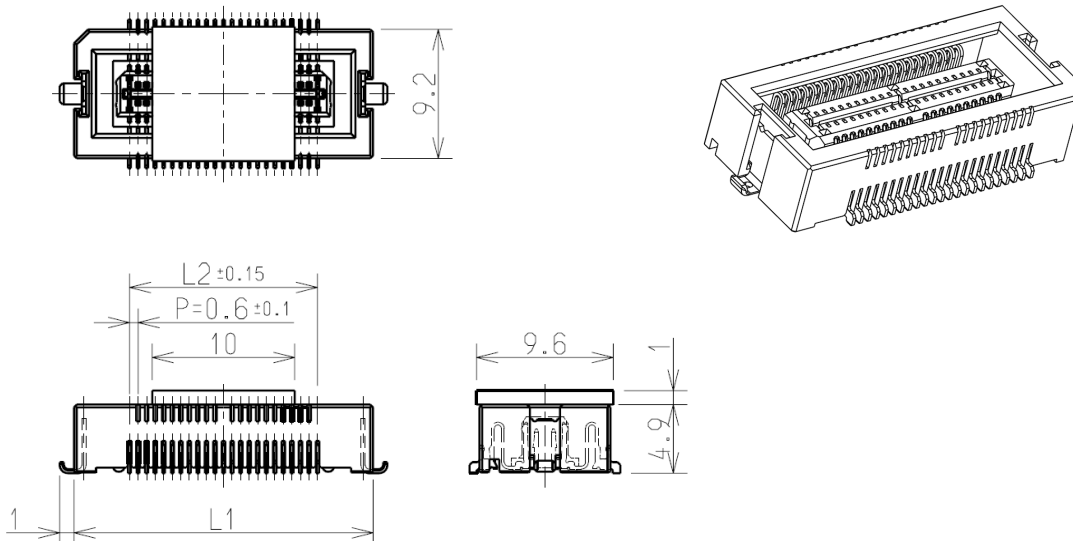
| | | | |
|------------------------|---|--|--|
| Voltage/Current rating | 50V,0.5A(AC+DC) | | |
| Insulation resistance | 100MΩ MIN. | | |
| Contact resistance | 80mΩ /P MAX. | | |
| Withstanding voltage | AC150V (for one minute) | | |
| Temperature range | -30°C~+85°C | | |
| Insertion force | 78.4N MAX (80Pin) | | |
| Withdrawal force | 9.8N MIN. (80Pin) | | |
| Materials Socket | Housing: LCP、GF、UL94V-O Terminal: Phosphor bronze、Au plated | | |
| Materials Plug | Separator: LCP、GF、UL94V-O Terminal: Phosphor bronze、Au/Sn-Cu plated | | |

Socket



| Poles | Product name | Unit:mm | |
|-------|--------------|---------|------|
| | | L1 | L2 |
| 40 | 139311140W3 | 21.0 | 13.2 |
| 80 | 139311180W3 | 36.0 | 28.2 |
| 120 | 1393111C0W4 | 51.0 | 43.2 |

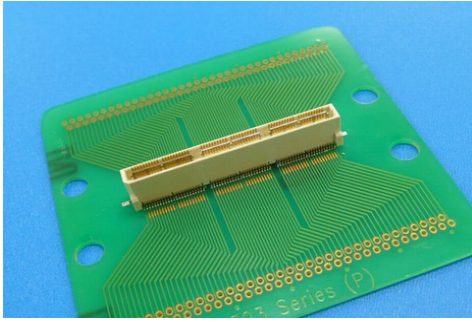
Socket



393 Series

Board-to-Board | Parallel Connector | 0.6mm Movable Connector

■ Plug



P.W.B distance 8.0mm

Unit:mm

| Poles | Product name | H1 | H2 | L1 | L2 |
|-------|--------------|-----|-----|------|------|
| 120 | 2393111C0W3 | 7.1 | 6.7 | 47.0 | 43.2 |

P.W.B distance 10.0mm

| Poles | Product name | H1 | H2 | L1 | L2 |
|-------|--------------|-----|-----|------|------|
| 40 | 239313140W3 | 9.1 | 8.7 | 17.0 | 13.2 |
| 80 | 239313180W3 | 9.1 | 8.7 | 32.0 | 28.2 |
| 120 | 2393131C0W3 | 9.1 | 8.7 | 47.0 | 43.2 |

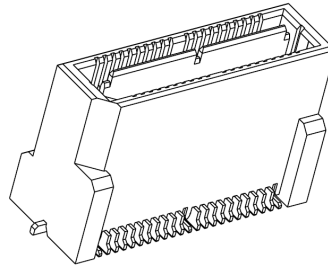
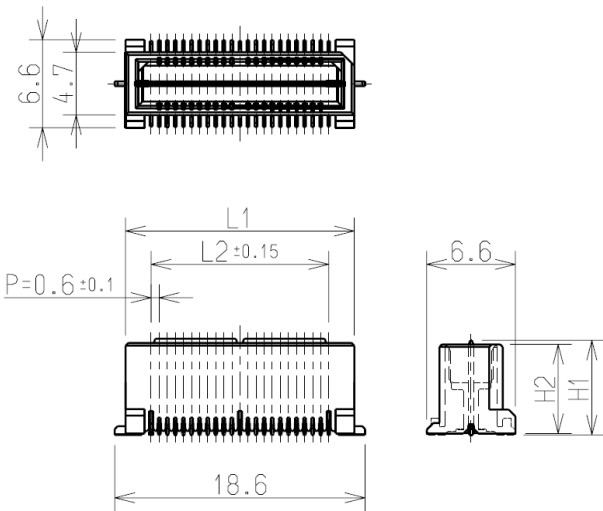
P.W.B distance 12.0mm

| Poles | Product name | H1 | H2 | L1 | L2 |
|-------|--------------|------|------|------|------|
| 40 | 239315140W3 | 11.1 | 10.7 | 17.0 | 13.2 |
| 80 | 239315180W3 | 11.1 | 10.7 | 32.0 | 28.2 |

P.W.B distance 21.0mm

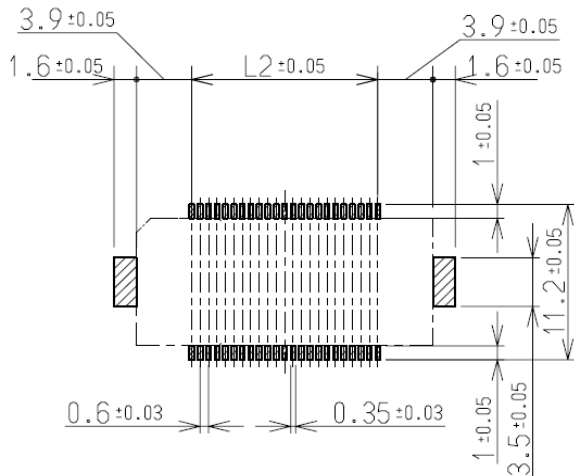
| Poles | Product name | H1 | H2 | L1 | L2 |
|-------|--------------|----|------|------|------|
| 40 | 239324140W3 | - | 19.7 | 17.0 | 13.2 |
| 80 | 239324180W3 | - | 19.7 | 32.0 | 28.2 |

■ Plug

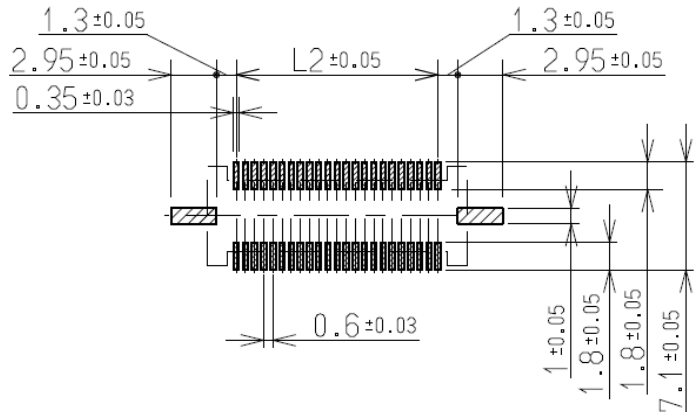


■ P.W.B layout (socket)

参考適合基板寸法 (マウント面)
Reference agreement P.W.B. dimension (mounting surface)



■ P.W.B layout (plug)



* All the figures relative to the product information indicated herein on our website are to represent respective model ranges(or series), and may as well be treated as reference figures only. We take the liberty to call your kind attention to the fact that our products and/or specifications may change without previous notice due to unavoidable circumstances. If you determine to use or adopt a product thereof, we would appreciate you contacting our Sales & Marketing Division for confirmation of the up-to-date specifications for delivery.