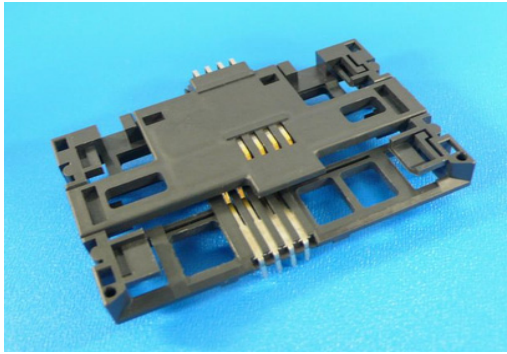


390 Series

For Special Application | - | IC card connector



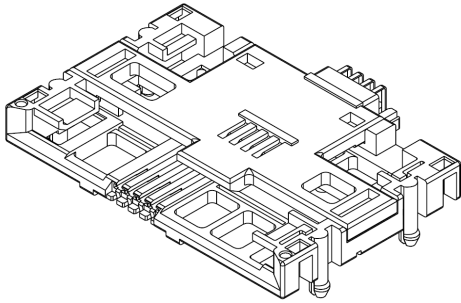
Product Feature

- 1. 10,000 times of insertion and extraction guaranteed:**
Excellent durability enables us to guarantee 10,000 times of insertion and extraction.
- 2. Flexible variation:**
Either, or both, of the upper and reverse contact points are available.

Specifications

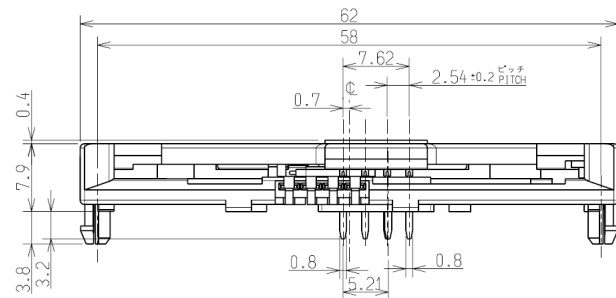
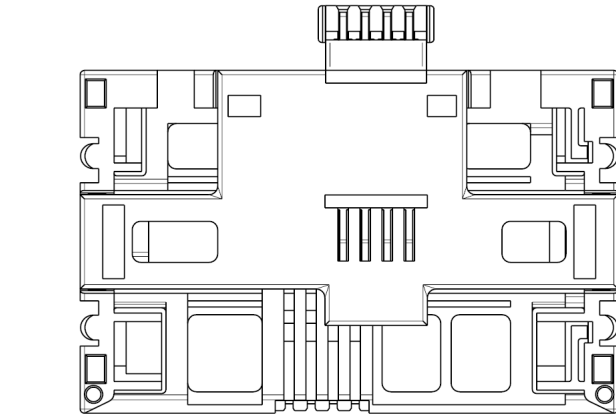
Voltage/Current rating	30V,0.5A(AC·DC)
Insulation resistance	1000M Ω MIN.
Contact resistance	40m Ω MAX.
Withstanding voltage	AC500V (for one minute)
Temperature range	-10°C~+70°C
Insertion force	14.7 N MAX. (initial)
Withdrawal force	1.47 N MIN. (initial)
Materials	Housing : PBT,GF Terminal : Phosphor bronze,portion Au plated/Sn-Cu plated

Socket

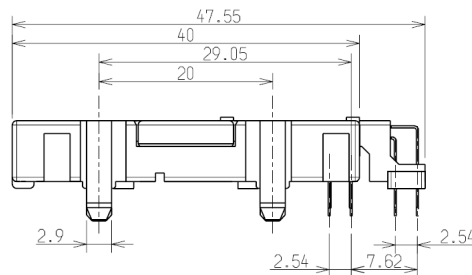
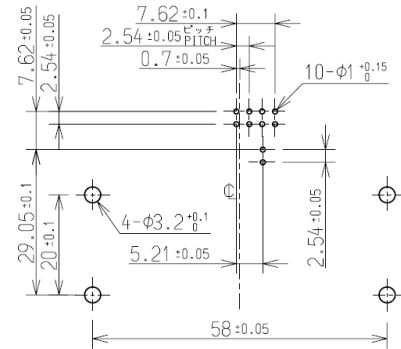


Poles	Product name	Specification
8	139003108K4	Upper Contact
8	139004108K4	Lower Contact
16	139001116K4	Reversible
16	139002116K4	Reversible with kink forming

Upper Contact type



P.W.B layout



* All the figures relative to the product information indicated herein on our website are to represent respective model ranges(or series), and may as well be treated as reference figures only. We take the liberty to call your kind attention to the fact that our products and/or specifications may change without previous notice due to unavoidable circumstances. If you determine to use or adopt a product thereof, we would appreciate you contacting our Sales & Marketing Division for confirmation of the up-to-date specifications for delivery.