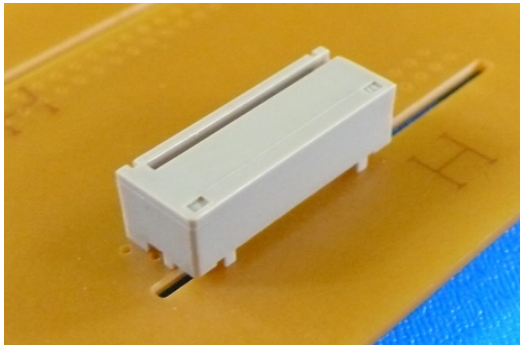


346 (TOC-J) Series

FFC·FPC | NON-ZIF | 1.0mm-Pitch Connector



Product Feature

1. Specialty in mating at the bottom end:

It can be designed for mating with FFC cards from the back of a substrate. It makes it possible to arrange a connector on the other areas than the end face of a substrate, such as the substrate center and the like, and allows significantly greater design flexibility.

2. High contact reliability secured:

It provides longer size of effective mating than that of normal non-ZIF type of connectors, and the resultant extremely high contact reliability.

3. Anti-scattering prevention against flux:

Flux shatterproof is fully arranged for this bottom-type connector.

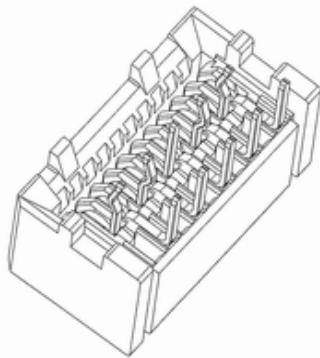
4. Amazingly compact type connector:

1.0mm-pitch zigzag arrangement has made the compact size come true.

Specifications

Voltage/Current rating	50V,0.5A(AC,DC)
Insulation resistance	500 MΩ MIN.
Contact resistance	30mΩ/P MAX.
Withstanding voltage	AC250V (for one minute)
Temperature range	-20°C~+80°C
Applicable wire thickness	0.3mm±0.05mm (FFC)
Insertion force	17.2 N MAX. (14pin initial)
Withdrawal force	4.5 N MIN. (14pin initial)
Materials	Housing:PPS,GF Terminal:Phosphor bronze,Sn plated

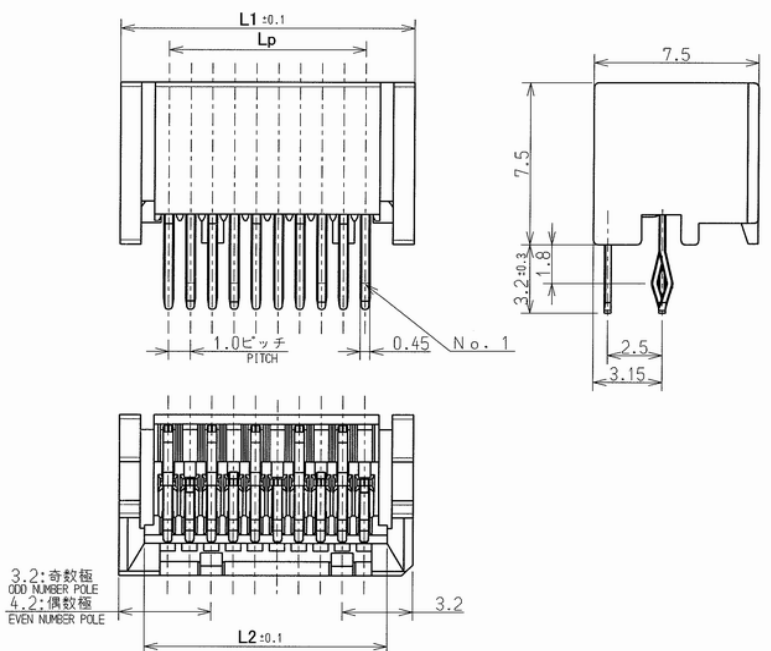
Socket



Unit:mm

Poles	Product name	L2	L3	L2	L3
6	TOC-J06X-A1 BEI	5.0	9.4	7.1	8.2
10	TOC-J10X-A1 BEI	9.0	13.4	11.1	12.2
14	TOC-J14X-A1 BEI	13.0	17.4	15.1	16.2
17	TOC-J17X-A1 BEI	16.0	20.4	18.1	19.2
25	TOC-J25X-A1 BEI	24.0	28.4	26.1	27.2
27	TOC-J27X-A1 BEI	26.0	30.4	28.1	29.2
30	TOC-J30X-A1 BEI	29.0	33.4	31.1	32.2

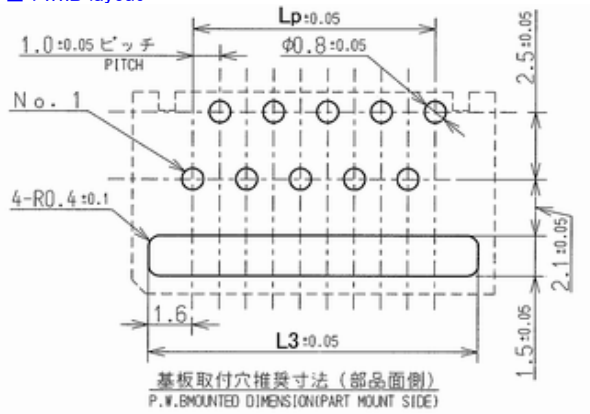
Socket



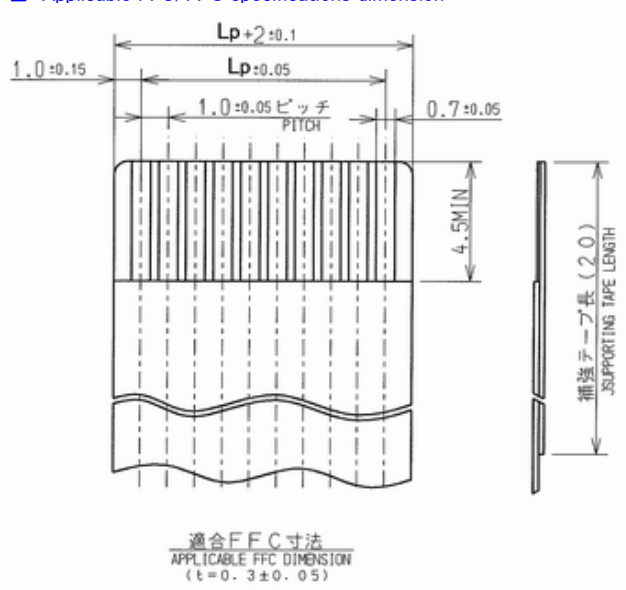
346 (TOC-J) Series

FFC・FPC | NON-ZIF | 1.0mm-Pitch Connector

■ P.W.B layout



■ Applicable FFC/FPC specifications dimension



* All the figures relative to the product information indicated herein on our website are to represent respective model ranges (or series), and may as well be treated as reference figures only. We take the liberty to call your kind attention to the fact that our products and/or specifications may change without previous notice due to unavoidable circumstances. If you determine to use or adopt a product thereof, we would appreciate you contacting our Sales & Marketing Division for confirmation of the up-to-date specifications for delivery.