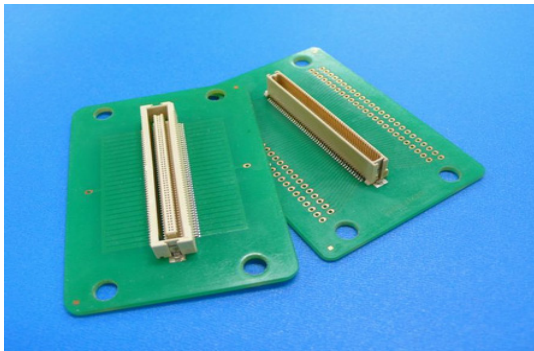


# 342 (TWK-E) Series

Board-to-Board | Parallel Connector | 0.8mm Movable Connector



## Product Feature

### 1. 0.8mm-pitch movable connector:

It is movable in the range of  $\pm 0.4\text{mm}$  in the X-axis direction,  $\pm 0.4\text{mm}$  in the Y-axis direction and  $+1.0\text{mm}$  to  $0\text{mm}$  in the Z-axis direction.

### 2. Large selection provided:

The distances of 5.0mm to 20.0mm between substrates are available. The numbers of 30 to 120 pins are set up for easier design and use.

### 3. High-speed transmission that can be corresponded:

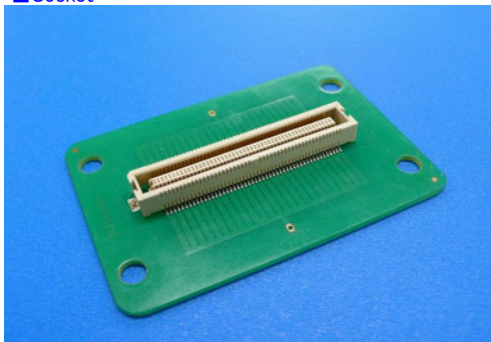
We can make arrangement for high-speed transmission. (Please ask us for details, if necessary.)

## Specifications

Voltage/Current rating	50V,0.5A(AC+DC)	
Insulation resistance	500M $\Omega$ MIN	
Contact resistance	80m $\Omega$ MAX	
Withstanding voltage	AC500V (for one minute)	
Temperature range	-30°C~+85°C	
Materials Socket	Housing: LCP、GF、UL94V-0	Terminal: Phosphor bronze、Au plated *1
Materials Plug	Separator: LCP、GF、UL94V-0	Terminal: Phosphor bronze、Au plated *1

\*1 The above-mentioned becomes a basic type.

## Socket



### Socket (P.W.B Distance 5~8mm)

Unit:mm

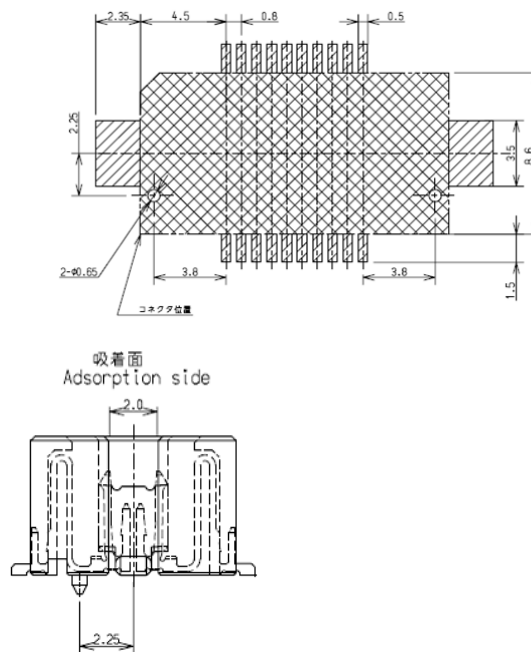
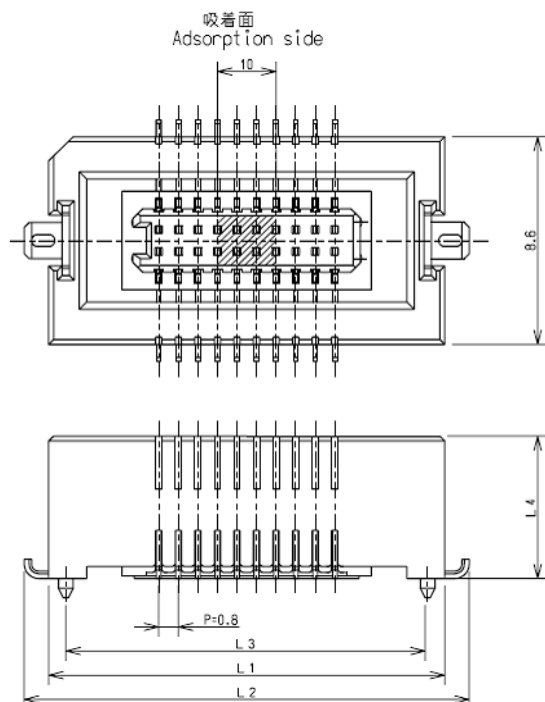
Poles	Product name	L1	L2	L3	L4
30	134204330W3	20.2	22.2	18.8	3.9
40	134204140W3	24.2	26.2	22.8	3.9
50	134206850W3	28.2	30.2	26.8	4.6
60	134204160W3	32.2	34.2	30.8	3.9
80	134201380W3	40.2	42.2	38.8	3.9
100	1342071A0W3	48.2	50.2	46.8	3.9

### Socket (P.W.B Distance 9~19mm)

Poles	Product name	L1	L2	L3	L4
30	134203230W3	20.2	22.2	18.8	5.9
60	134203260W3	32.2	34.2	30.8	5.9
80	134203380W3	40.2	42.2	38.8	5.9
100	1342032A0W4	48.2	50.2	46.8	5.9

\*1 The above-mentioned becomes a basic type. Please inquire other variations.

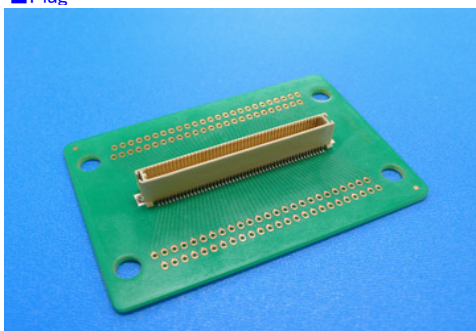
## P.W.B layout



# 342 (TWK-E) Series

Board-to-Board | Parallel Connector | 0.8mm Movable Connector

## ■ Plug



## Plug (P.W.B distance 5.0mm)

Unit:mm

Poles	Product name	L1	L2	L3	H1
30	234201330W3	11.2	16.1	13.6	3.9
40	234201340W3	15.2	20.1	17.6	3.9
80	234201380W3	31.2	36.1	33.6	3.9
100	2342013A0W3	39.2	44.1	41.6	3.9

## (P.W.B distance 5.8mm)

Poles	Product name	L1	L2	L3	H1
30	234218330W3	11.2	16.1	13.6	4.7
50	234218250B3	19.2	24.1	21.6	4.7

## (P.W.B distance 8.0mm)

Poles	Product name	L1	L2	L3	H1
60	234204260B3	23.2	28.1	25.6	6.9
80	234204380W3	31.2	36.1	33.6	6.9

## (P.W.B distance 9.0mm)

Poles	Product name	L1	L2	L3	H1
60	234205360W3	23.2	28.1	25.6	7.9
80	234205380B3	31.2	36.1	33.6	7.9
100	2342053A0B4	39.2	44.1	41.6	7.9

## (P.W.B distance 13.0mm)

Poles	Product name	L1	L2	L3	H1
60	234219360B3	23.2	28.1	25.6	11.9

## (P.W.B distance 14.0mm)

Poles	Product name	L1	L2	L3	H1
30	234210330W3	11.2	16.1	13.6	12.9
80	234210180B3	31.2	36.1	33.6	12.9

## (P.W.B distance 18.0mm)

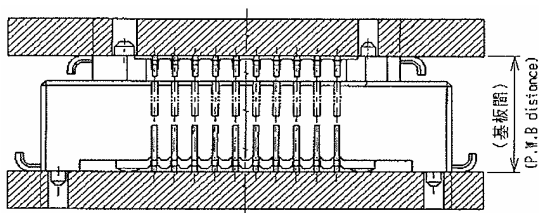
Poles	Product name	L1	L2	L3	H1
80	234214380W3	31.2	36.1	33.6	16.9
100	2342143A0W4	39.2	44.1	41.6	16.9

## (P.W.B distance 19.0mm)

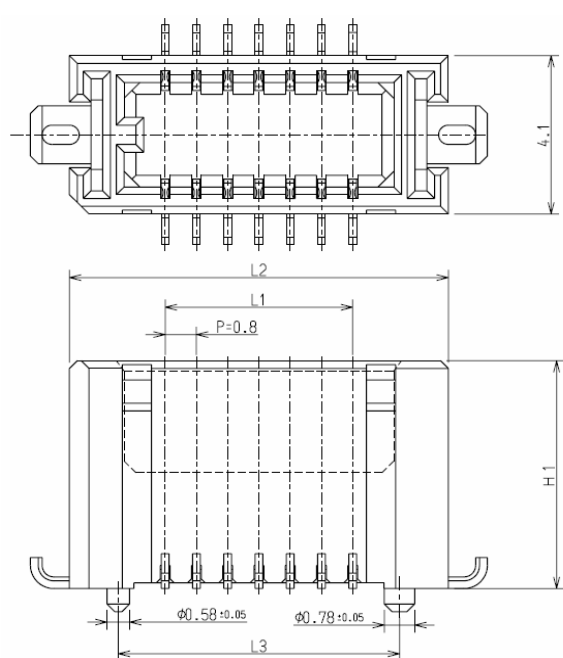
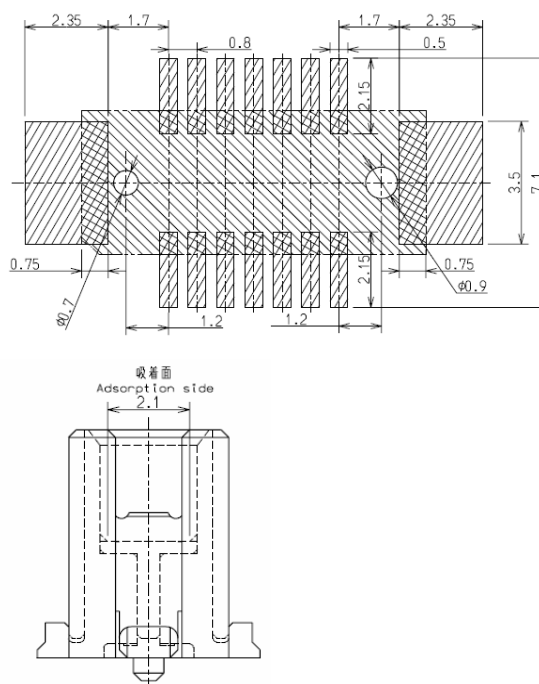
Poles	Product name	L1	L2	L3	H1
60	234215360B4	23.2	28.1	25.6	17.9

\*1 The above-mentioned becomes a basic type. Please inquire other variations.

## ■ Engagement diagram



## ■ P.W.B layout



\* All the figures relative to the product information indicated herein on our website are to represent respective model ranges (or series), and may as well be treated as reference figures only. We take the liberty to call your kind attention to the fact that our products and/or specifications may change without previous notice due to unavoidable circumstances. If you determine to use or adopt a product thereof, we would appreciate you contacting our Sales & Marketing Division for confirmation of the up-to-date specifications for delivery.