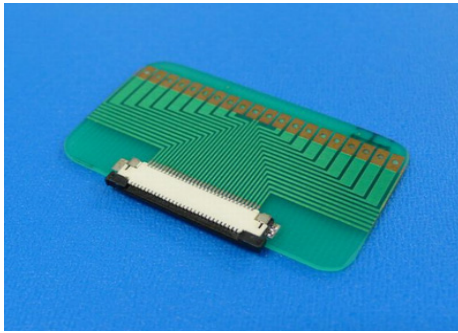


336 (TOC-W) Series

FFC·FPC | ZIF | 0.5mm-Pitch Connector



Product Feature

1. Low-profile, sliding-, and ZIF-, type of connectors:

It is a 0.5mm-pitch, 1.55mm high, sliding-, and ZIF-, type of connector for FFC and FPC. Either contact of up or down is available.

2. Plenty variation available:

10 to 30 pins are easily available. Au-, and Sn-, plating are established as optional extra.

3. Least, or virtually no, short circuit in the lower part of a connector:

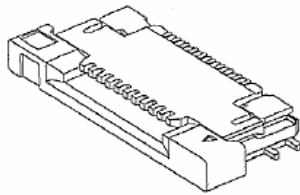
You have no restriction in circuit wiring imposed in the lower part of a connector, and therefore may enjoy wider flexibility in design.

Specifications

Voltage/Current rating	50V,0.4A(AC,DC)
Insulation resistance	1,000MΩ MIN.
Contact resistance	40mΩ/P MAX.
Withstanding voltage	AC200V (for one minute)
Temperature range	-20°C~+80°C
Applicable wire thickness	0.3mm±0.03mm (FFC)
Lock Insertion force	35.0 N MAX. (21pin initial)
Lock withdrawal force	5.0 N MIN (21pin initial)
Card retention force	5.2 N MIN. (21pin initial)
Materials	Housing:LCP、GF Slider:PPS、GF Terminal:Phosphor bronze、Au plated *1

* 1 Please inquire Sn plte type.

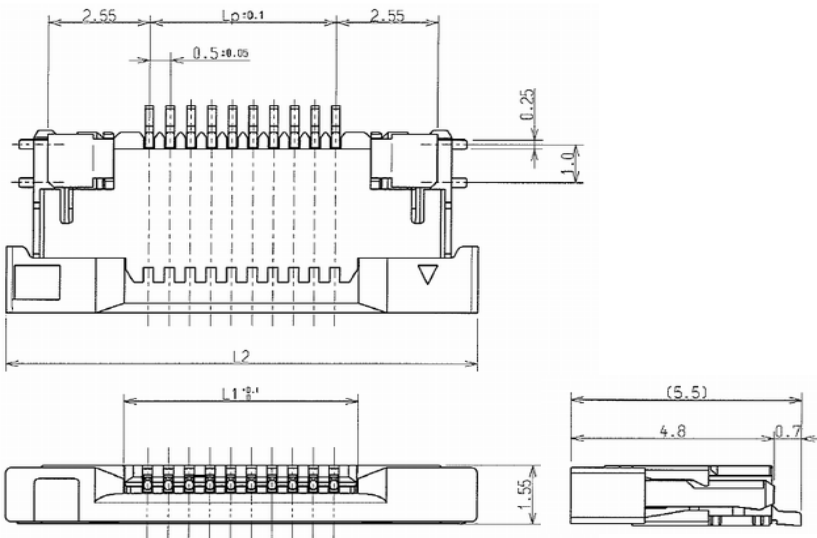
Socket



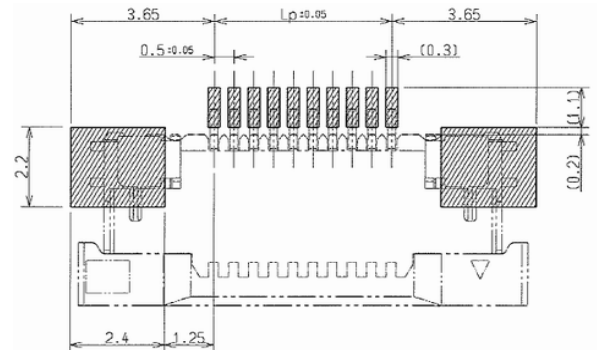
Poles	Product name		Unit:mm			
	Lower contact type	Upper contact type	LP	L1	L2	L3
10	133607110W3	*2	4.5	5.65	11.4	5.5
15	133607115W3	133608115W3	7.0	8.15	13.9	8.0
20	*2	133608120W3	9.5	10.65	16.4	10.5
21	*2	133608121W3	10.0	11.15	16.9	11.0
22	*2	133608122W3	10.5	11.65	17.4	11.5
26	*2	133608126W3	12.5	13.65	19.4	13.5
30	*2	133608130W3	14.5	15.65	21.4	15.5

*2 Please inquire.

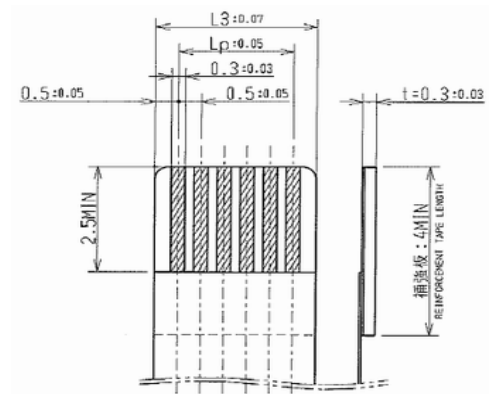
Socket



P.W.B layout



Applicable FFC/FPC specifications dimension



* All the figures relative to the product information indicated herein on our website are to represent respective model ranges(or series), and may as well be treated as reference figures only. We take the liberty to call your kind attention to the fact that our products and/or specifications may change without previous notice due to unavoidable circumstances. If you determine to use or adopt a product thereof, we would appreciate you contacting our Sales & Marketing Division for confirmation of the up-to-date specifications for delivery.