

273 (TWG-P) Series

Board-to-Board | Horizontal (Bridge) Connector | 1.25mm-Pitch Connector

Product Feature

1. 1.25mm-pitch horizontal (bridge type) board to board connector:

It is indispensable to FPD or digital equipment for effectively connecting between horizontal substrates.

2. Abundant variations and ways of usage are possible:

The products are compliant to 1A, and can be used for signal lines as well as power supply.

3. Improved work efficiency:

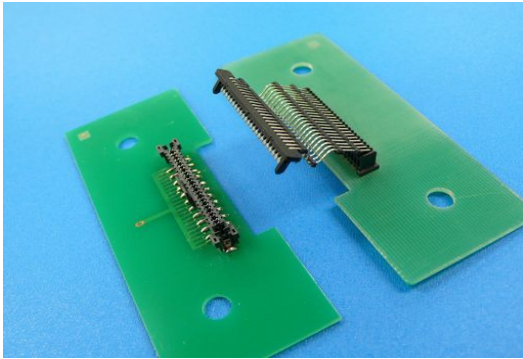
You can get a click feeling when mating, and reduce mistakes in assembly work caused by insufficient insertion and the like. Insertion and extraction of plugs with the substrate fixed as it is, such as in case of circuit connection and disconnection, are possible.

4. High contact reliability:

The socket terminals' shape is made up of fork terminals made available based on the unique technology, and ensures High contact reliability.

5. Mating between substrates of different levels possible:

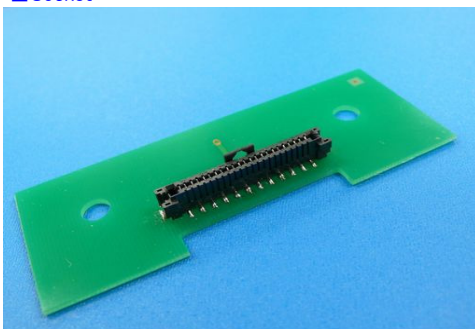
Horizontal mating between substrates located on different levels is possible.



Specifications

Voltage/Current rating	125V, 1A (AC·DC)	
Insulation resistance	1,000MΩ MIN.	
Contact resistance	30mΩ MAX./P	
Withstanding voltage	AC500V (for one minute)	
Temperature range	-20°C ~ +85°C	
Applicable P.W.B thickness	Thickness: 1.6mm, Hole: 0.8mm	
Insertion force	34.3N MAX. (15P)	
Withdrawal force	9.8N MIN. (15P)	
Materials Socket (dip type)	Housing: PBT, GF, UL94V-0	Terminal: Phosphor bronze, Sn-Cu plated
Materials Socket (SMT type)	Housing: LCP, GF, UL94V-0	Terminal: Phosphor bronze, Sn-Cu plated
Materials Plug	Separator: PBT, GF, UL94V-0	Terminal: Phosphor bronze, Sn plated

Socket



Socket (DIP type)

Unit:mm

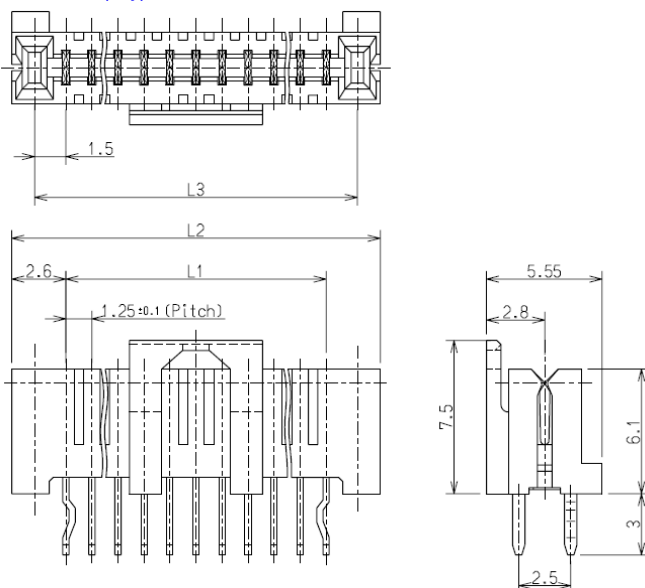
Poles	Product name	L1	L2	L3
7	127301107K2	7.5	12.7	10.5
9	127301109K2	10.0	15.2	13.0
11	127301111K2	12.5	17.7	15.5
13	127301113K2	15.0	20.2	18.0
15	127301115K2	17.5	22.7	20.5
19	127301119K2	22.5	27.7	25.5
23	127301123K2	27.5	32.7	30.5

Socket (SMT type)

Poles	Product name	L1	L2	L3
9	127303109K3	10.0	19.1	13.0
15	127303115K3	17.5	26.6	20.5
23	127303123K3	27.5	36.6	30.5

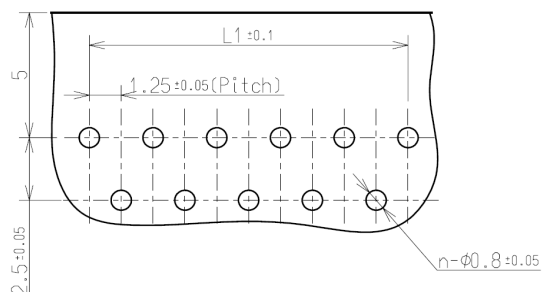
*Please inquire other numbers of poles.

Socket dip type



P.W.B layout (Socket dip type)

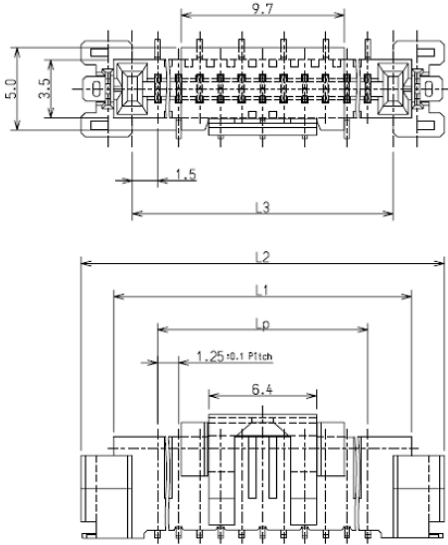
*port surface side



273 (TWG-P) Series

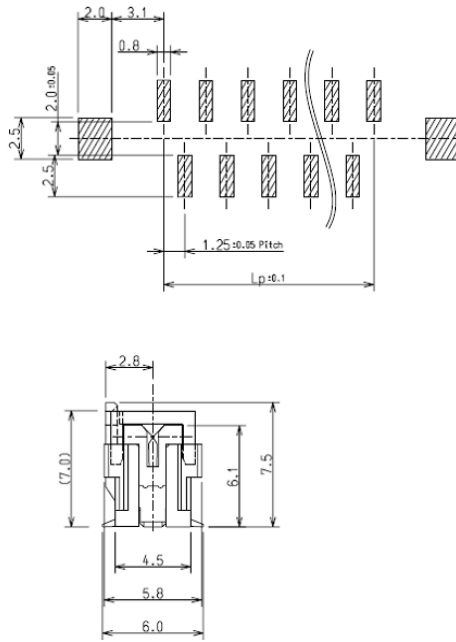
Board-to-Board | Horizontal (Bridge) Connector | 1.25mm-Pitch Connector

■ Socket SMT Type

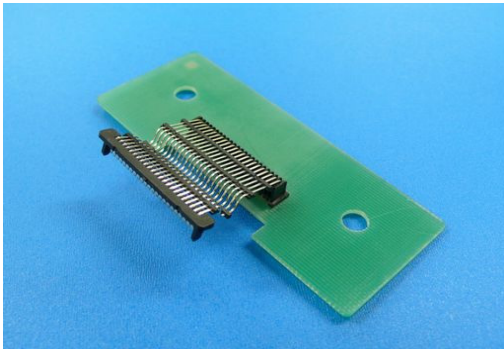


■ P.W.B layout (Socket SMT type)

*port surface side



■ Plug



■ Plug (Standard type)

Unit:mm

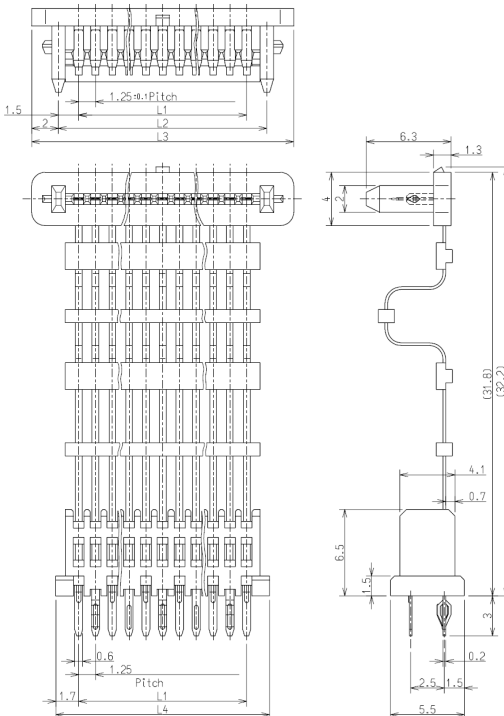
Poles	Product name	L1	L2	L3	L4
7	TWG-P07P-A1 BLK ST	7.5	10.5	14.5	10.9
9	TWG-P09P-A1 BLK ST	10.0	13.0	17.0	13.4
11	TWG-P11P-A1 BLK ST	12.5	15.5	19.5	15.9
13	TWG-P13P-A1 BLK ST	15.0	18.0	22.0	18.4
15	TWG-P15P-A1 BLK ST	17.5	20.5	24.5	20.9
19	TWG-P19P-A1 BLK ST	22.5	25.5	29.5	25.9
23	TWG-P23P-A1 BLK ST	27.5	30.5	34.5	30.9

■ Plug (Long type)

Poles	Product name	L1	L2	L3	L4
9	TWG-P09P-B1 BLK ST	10.0	13.0	17.0	13.4
23	TWG-P23P-B1 BLK ST	27.5	30.5	34.5	30.9

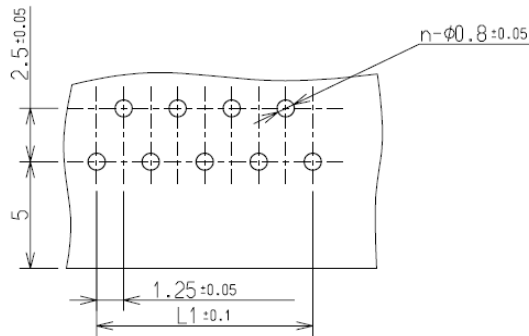
*1 The above-mentioned becomes a basic type. Please inquire other variations.

■ Plug



■ P.W.B layout

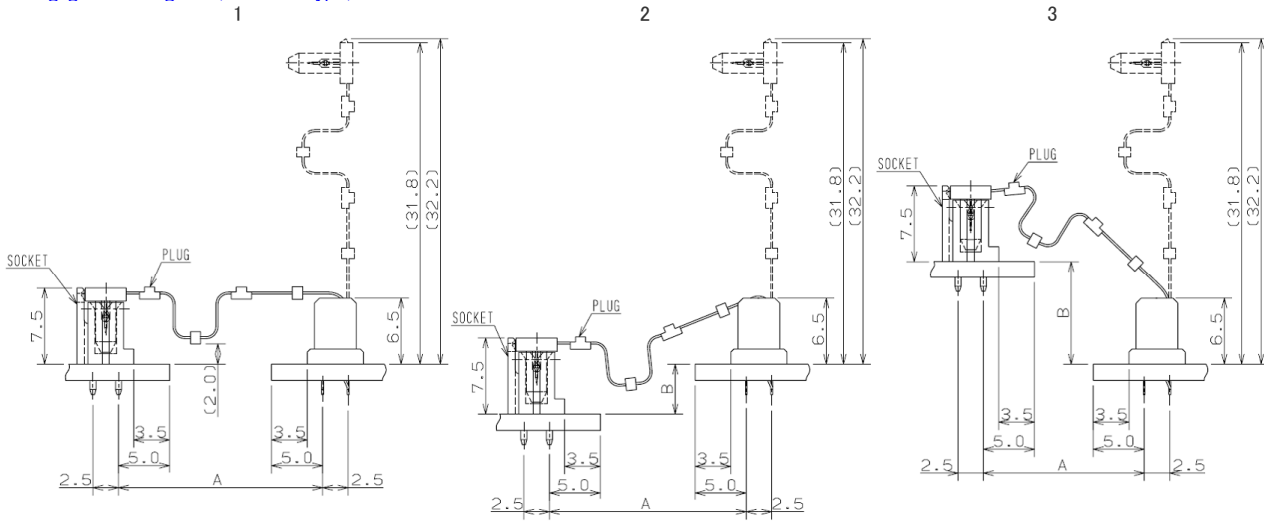
*port surface side



273 (TWG-P) Series

Board-to-Board | Horizontal (Bridge) Connector | 1.25mm-Pitch Connector

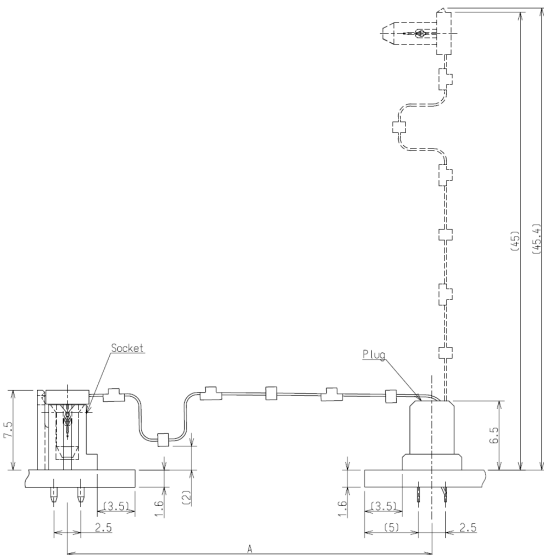
Engagement diagram (standard type)



Unit:mm

Table 1		Table 2			Table 3		
A		A		B	A		B
MAX	MIN	MAX	MIN		MAX	MIN	
20.0	13.5	20.0	13.5	1.0	20.0	13.5	1.0
		19.5	13.5	2.0	19.5	13.5	2.0
		19.5	14.0	3.0	19.5	14.0	3.0
		19.0	14.0	4.0	19.0	14.0	4.0
		19.0	14.0	5.0	19.0	14.0	5.0
					18.5	14.5	6.0
					18.0	14.5	7.0
					17.5	14.5	8.0
					17.0	15.0	9.0
					16.0	15.0	10.0

Engagement diagram (long type)



A	
MAX	MIN
34.0	30.0

* Please inquire about the difference engagement.

* All the figures relative to the product information indicated herein on our website are to represent respective model ranges(or series), and may as well be treated as reference figures only. We take the liberty to call your kind attention to the fact that our products and/or specifications may change without previous notice due to unavoidable circumstances. If you determine to use or adopt a product thereof, we would appreciate you contacting our Sales & Marketing Division for confirmation of the up-to-date specifications for delivery.